

0CNP4-M08900EN

Contents

Fig. No. Fig. Name

ENGINE RELATED SECTION

1. ENGINE RELATED

DRIVE TRAVEL SECTION

2. TENSION CLUTCH

3. ENGINE PULLEY & BELT

4. TRAVEL DRIVE

5. REDUCTION GEAR & AXLE

CONTROL SECTION

6. HANDLE

7. CONTROL PANEL

8. DEAD MAN LEVER

9. CLUTCH & CLUTCH LOCK

10. CHANGE LEVER

11. CHANGE ROD

12. CHUTE LEVER

13. CHUTE HANDLE

14. LIFTING

CHASSIS,COVER & CRAWLER SECTI.

15. CHASSIS FRAME

16. BELT COVER & GEAR COVER

17. CRAWLER

Fig. No. Fig. Name

ELECTRICAL PARTS SECTION

18. BATTERY

19. HARNESS & SWITCH

20. HARNESS & SWITCH

21. LAMP

SNOW REMOVING SECTION

22. SNOW REMOVING FRAME

23. SNOW REMOVING FRAME

24. AUGER COVER

25. CHUTE

26. GEAR CASE

27. AUGER & BLOWER

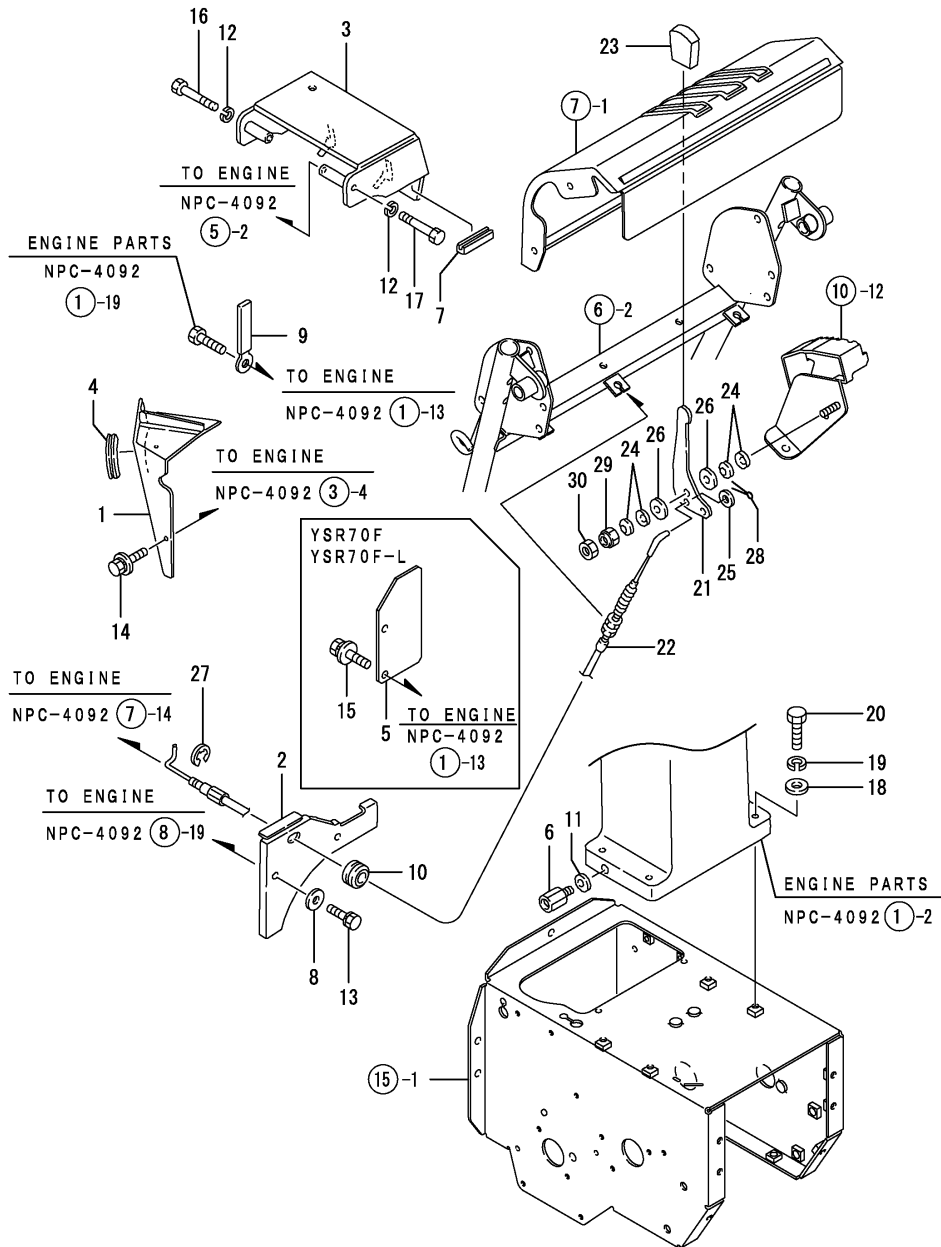
LABELS & ACCESSORIES SECTION

28. LABELS

29. LABELS(SAFETY)

30. TOOLS & ACCESSORIES

Fig.1. ENGINE RELATED

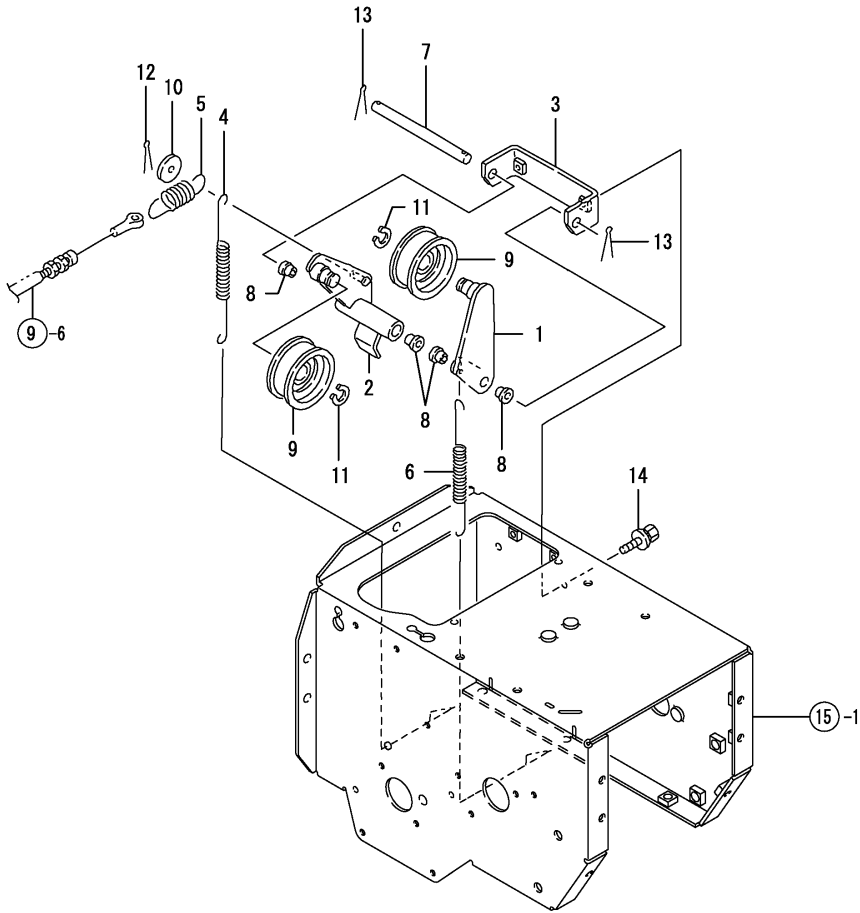


(A)=YSR70F
(B)=YSR70F-S
(C)=YSR70F-L

(D)=YSR70F-LS
(E)=
(F)=

No.	Lev.	Parts No.	Description	Q'ty						I	R
				(A)	(B)	(C)	(D)	(E)	(F)		
1	1	1N1713-00040	COVER B COMP.,AUX.	1	1	1	1				
2	1	1N1713-00080	COVER A COMP.,AUX.	1	1	1	1				
3	1	1N3330-00100	COVER,BRACKET	1	1	1	1				
4	1	1N1713-00170	MOLDINGS 55	1	1	1	1				
5	1	1N3360-00200	PLATE,PULLEY GUARD	1		1					
6	1	1N3021-00250	JOINT,WASTE OIL	1	1	1	1				
7	1	1S9050-01430	EDGE RUBBER 50	1	1	1	1				
8	1	1J3999-02010	WASHER, 6	2	2	2	2				
9	1	1N1710-32600	CLAMP 8X70	1	1	1	1				
10	1	194080-58820	GROMMET, 15	1	1	1	1				
11	1	22190-120000	WASHER, SEAL 12	1	1	1	1				
12	1	22217-060000	WASHER, SPRING 6	2	2	2	2				
13	1	26016-060204	BOLT, 6 X 20	2	2	2	2				
14	1	26018-060124	BOLT, 6 X 12	2	2	2	2				
15	1	26018-080164	BOLT, 8 X 16	2		2					
16	1	26116-060502	BOLT, M6X 50 PLATED	1	1	1	1				
17	1	26116-060552	BOLT, M6X 55 PLATED	1	1	1	1				
18	1	22137-080000	WASHER, 8	4	4	4	4				
19	1	22217-080000	WASHER, SPRING 8	4	4	4	4				
20	1	26116-080352	BOLT, M8X 35 PLATED	4	4	4	4				
21	1	1N3390-02100	LEVER,ACCEL	1	1	1	1				
22	1	1N3310-02150	WIRE ASSY, THROTTLE	1	1	1	1				
23	1	194273-47910	KNOB, LEVER	1	1	1	1				
24	1	1N1570-51130	SPRING,BELLEVILLE	4	4	4	4				
25	1	22117-060000	WASHER, 6	1	1	1	1				
26	1	22137-080000	WASHER, 8	2	2	2	2				
27	1	22272-000050	RING, E- 5	1	1	1	1				
28	1	22417-200100	PIN, 2.0 X 10	1	1	1	1				
29	1	26347-080002	NUT, M8	1	1	1	1				
30	1	26717-080002	NUT, M8	1	1	1	1				

Fig.2. TENSION CLUTCH

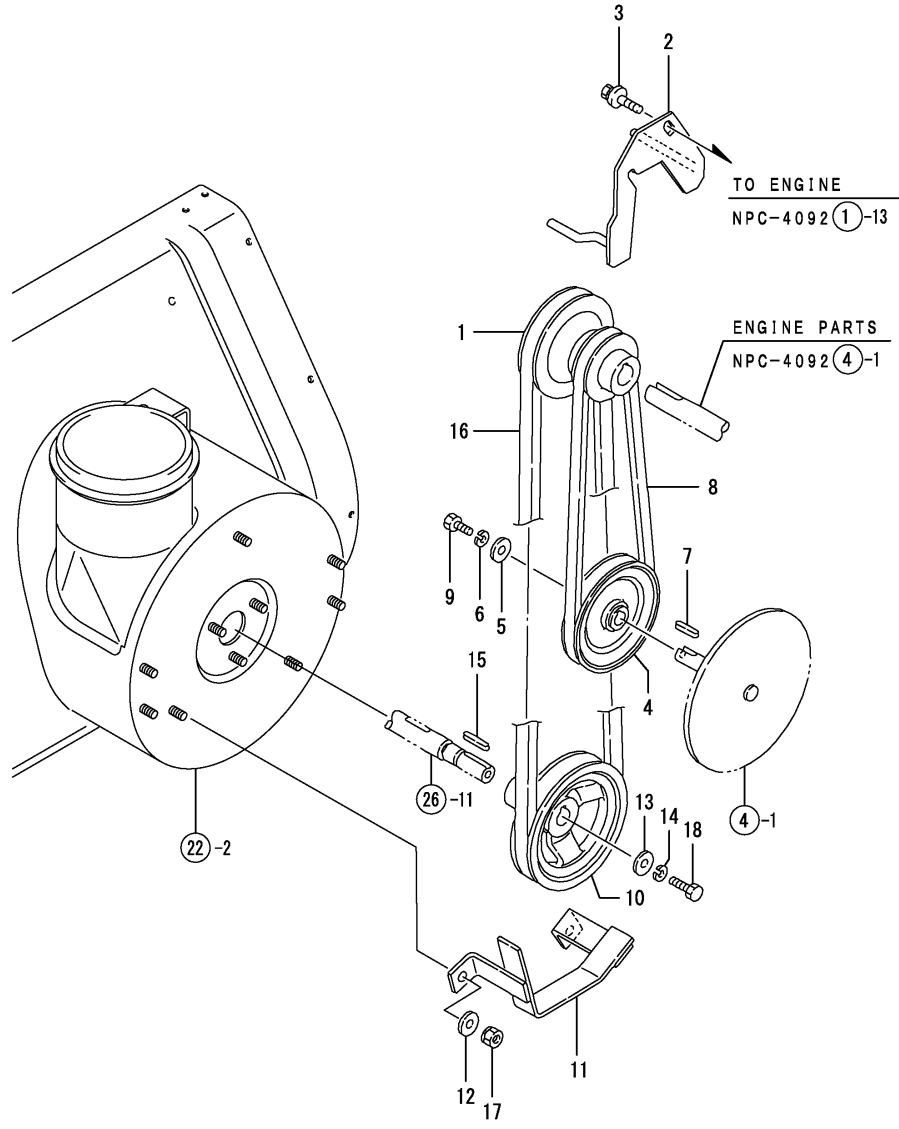


(A)=YSR70F
(B)=YSR70F-S
(C)=YSR70F-L

(D)=YSR70F-LS
(E)=
(F)=

No.	Lev.	Parts No.	Description	Qty						I	R
				(A)	(B)	(C)	(D)	(E)	(F)		
1	1	1N3330-11000	TENSION, TRAVEL	1	1	1	1				
2	1	1N3330-11100	TENSION, WORK	1	1	1	1				
3	1	1N3330-11200	FULCRUM, TENSION	1	1	1	1				
4	1	1N3330-11250	SPRING	1	1	1	1				
5	1	1N3300-11260	SPRING 17.5X60.5	1	1	1	1				
6	1	1N3330-11260	SPRING, 11X155	1	1	1	1				
7	1	1N3330-11270	SHAFT, TENSION	1	1	1	1				
8	1	1N3021-31580	BUSH 10X15, FLANGED	4	4	4	4				
9	1	1E7030-51301	ROLLER ASSY, TENSION	2	2	2	2				
10	1	22157-060000	WASHER, 6	1	1	1	1				
11	1	22242-000150	RING, 15	2	2	2	2				
12	1	22417-160100	PIN, 1.6 X 10	1	1	1	1				
13	1	22417-200160	PIN, COTTER 2.0X16	2	2	2	2				
14	1	26018-060162	BOLT, M6X 16	2	2	2	2				

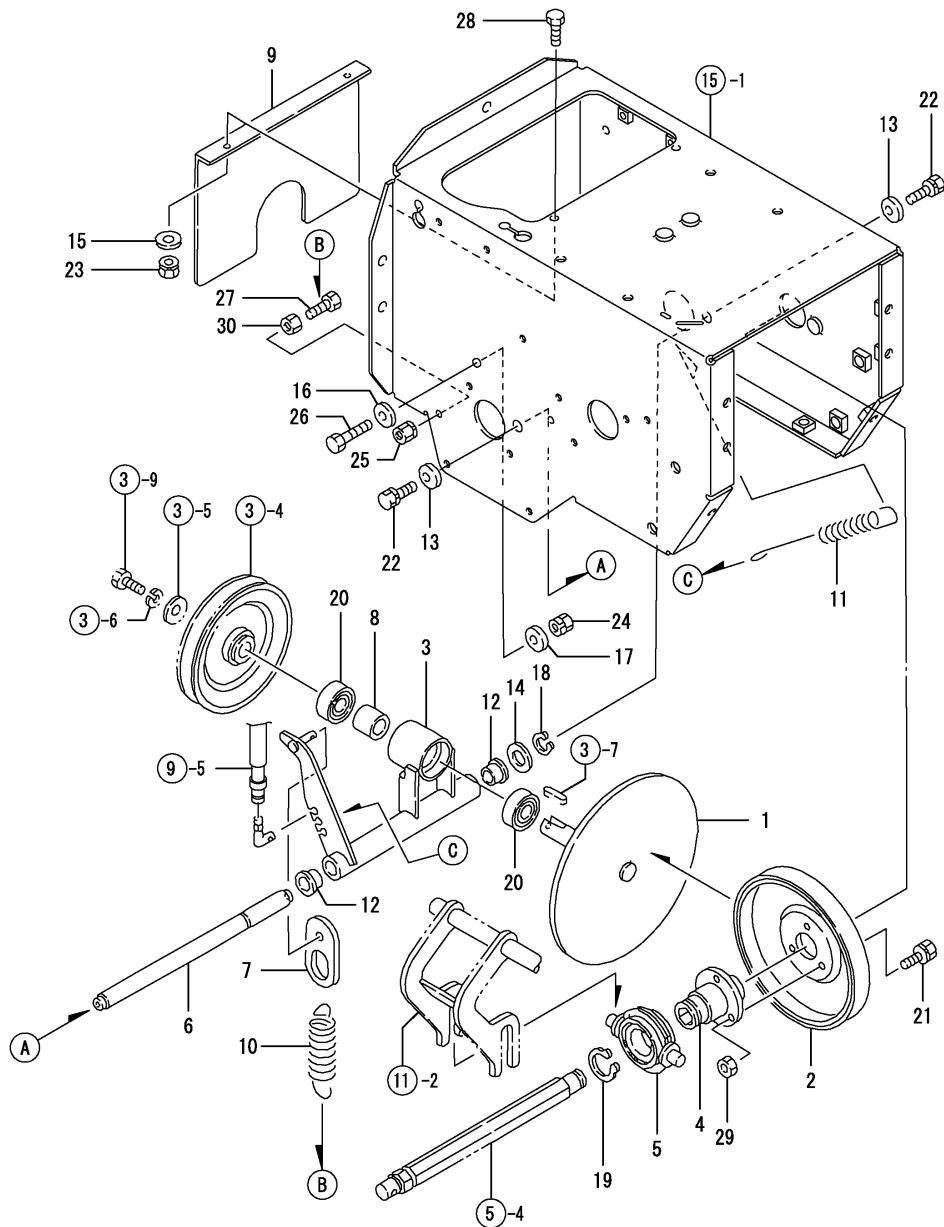
Fig.3. ENGINE PULLEY & BELT



(A)=YSR70F
 (B)=YSR70F-S
 (C)=YSR70F-L
 (D)=YSR70F-LS
 (E)=
 (F)=

No.	Lev.	Parts No.	Description	Qty						I	R
				(A)	(B)	(C)	(D)	(E)	(F)		
1	1	1N3330-12000	PULLEY,ENGINE	1	1	1	1				
2	1	1N3330-12100	RETAINER,BELT	1	1	1	1				
3	1	26018-080162	BOLT, M8X 16	2	2	2	2				
4	1	1N3330-12050	PULLEY, 90A	1	1	1	1				
5	1	22157-060000	WASHER, 6	1	1	1	1				
6	1	22217-060000	WASHER, SPRING 6	1	1	1	1				
7	1	22550-050150	KEY, 5 X 15	1	1	1	1				
8	1	25122-002701	V-BELT, A27H	1	1	1	1				
9	1	26116-060162	BOLT, M6X 16 PLATED	1	1	1	1				
10	1	1N3300-12010	PULLEY 133B	1	1	1	1				
11	1	1N3300-12201	GUIDE, BELT	1	1	1	1				
12	1	22137-080000	WASHER, 8	2	2	2	2				
13	1	22157-080000	WASHER, 8	1	1	1	1				
14	1	22217-080000	WASHER, SPRING 8	1	1	1	1				
15	1	22512-050300	KEY, 5X 30	1	1	1	1				
16	1	25123-002901	V-BELT, B29H	1	1	1	1				
17	1	26051-080002	NUT, M8	2	2	2	2				
18	1	26116-080252	BOLT, M8X 25 PLATED	1	1	1	1				

Fig.4. TRAVEL DRIVE



(A)=YSR70F
(B)=YSR70F-S
(C)=YSR70F-L

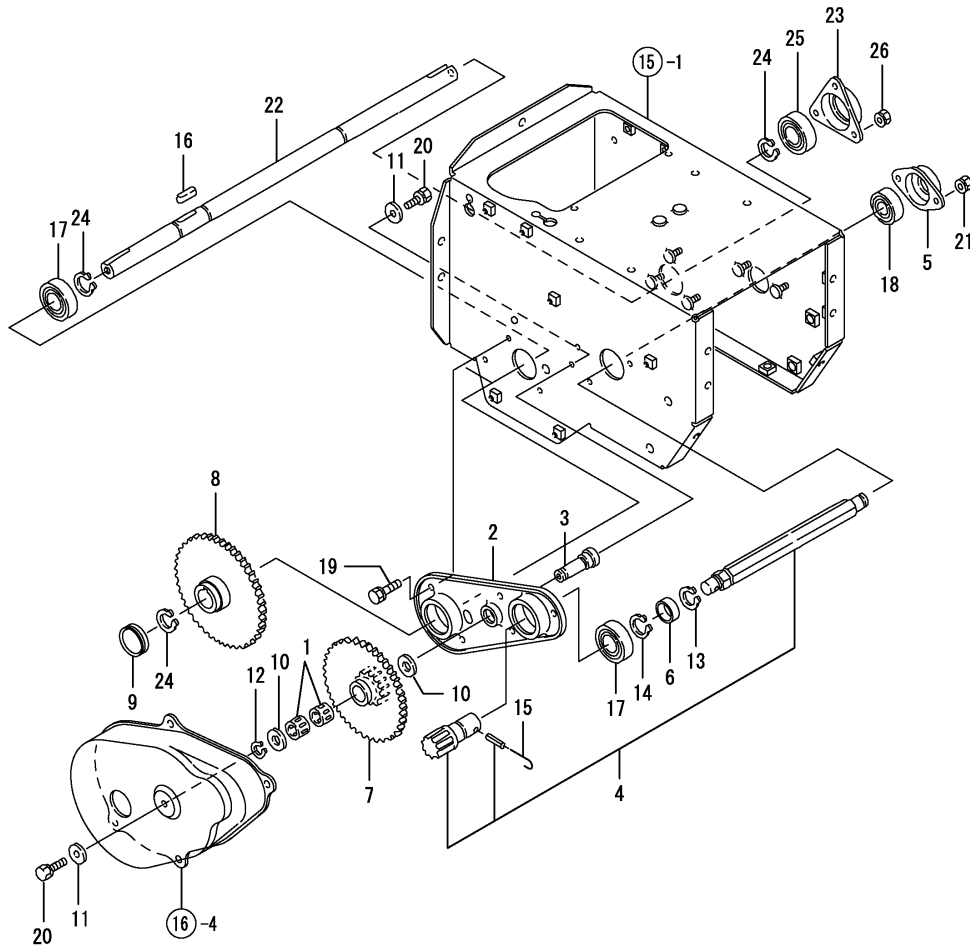
(D)=YSR70F-LS
(E)=
(F)=

No.	Lev.	Parts No.	Description	Q'ty						I	R
				(A)	(B)	(C)	(D)	(E)	(F)		
1	1	1N3300-21000	PLATE,CHANGE	1	1	1	1				
2	1	1N1570-21200	PLATE,FRICTION	1	1	1	1				
3	1	1N3330-21200	BEARING, PLATE	1	1	1	1				
4	1	1N1720-21211	SEAT,FRICT'N PL.MTG.	1	1	1	1				
5	1	1N1570-21300	SLIDER,CLUTCH	1	1	1	1				
6	1	1N3300-21300	PLATE,FULCRUM,JOINT	1	1	1	1				
7	1	1N3330-21300	PLATE, CLUTCH	1	1	1	1				
8	1	1N3300-21310	COLLAR 15X19X18	1	1	1	1				
9	1	1N3300-21400	PARTING PLATE,CHASSY	1	1	1	1				
10	1	1N3330-21400	SPRING, 23X89	1	1	1	1				
11	1	1N3330-21410	SPRING, 13X200	1	1	1	1				
12	1	1S6000-61220	BUSH,COLLAR	2	2	2	2				
13	1	22117-080000	WASHER, 8	2	2	2	2				
14	1	22117-120000	WASHER, 12	1	1	1	1				
15	1	22137-060000	WASHER, 6	2	2	2	2				
16	1	22137-060000	WASHER, 6	1	1	1	1				
17	1	22157-060000	WASHER, 6	1	1	1	1				
18	1	22242-000120	RING, 12	1	1	1	1				
19	1	22242-000250	RING, 25	1	1	1	1				
20	1	24104-060024	BEARING, BALL 6002UU	2	2	2	2				
21	1	26016-060164	BOLT, 6 X 16	3	3	3	3				
22	1	26016-080164	BOLT, 8 X 16	2	2	2	2				
23	1	26051-060002	NUT, M6	2	2	2	2				
24	1	26051-060002	NUT, M6	1	1	1	1				
25	1	26051-060002	NUT, M6	1	1	1	1				
26	1	26116-060254	BOLT, M6X 25 PLATED	1	1	1	1				
27	1	26116-060304	BOLT, M6X 30 PLATED	1	1	1	1				
28	1	26117-060122	BOLT, 6 X 12	2	2	2	2				
29	1	26717-060002	NUT, M6	3	3	3	3				
30	1	26717-060002	NUT, M6	1	1	1	1				

Fig.5. REDUCTION GEAR & AXLE

(A)=YSR70F
(B)=YSR70F-S
(C)=YSR70F-L

(D)=YSR70F-LS
(E)=
(F)=



No.	Lev.	Parts No.	Description	Q'ty						I	R
				(A)	(B)	(C)	(D)	(E)	(F)		
1	1	1N1570-21600	BEARING	2	2	2	2				
2	1	1N3390-23000	BEARING, GEAR	1	1	1	1				
3	1	1N3300-23050	SHAFT,COUNTER	1	1	1	1				
4	1	1N3300-23090	PINION GEAR CMP	1	1	1	1				
5	1	1F1150-23140	JOINT	1	1	1	1				
6	1	1N3300-23180	COLLAR, 20X25X9.5	1	1	1	1				
7	1	1N3310-23200	GEAR,COUNTER	1	1	1	1				
8	1	1N3390-23300	GEAR, AXLE 84	1	1	1	1				
9	1	1N3390-23400	SEAL, GREASE 28A	1	1	1	1				
10	1	22117-120000	WASHER, 12	2	2	2	2				
11	1	22157-060000	WASHER, 6	2	2	2	2				
12	1	22242-000120	RING, 12	1	1	1	1				
13	1	22242-000190	RING, 19	1	1	1	1				
14	1	22242-000200	RING, 20	1	1	1	1				
15	1	22451-160000	WIRE, 1.6	1	1	1	1				
16	1	22512-050260	KEY, 5X 26	1	1	1	1				
17	1	24104-060044	BEARING, BALL 6004UU	2	2	2	2				
18	1	24104-062024	BEARING, BALL 6202UU	1	1	1	1				
19	1	26016-060122	BOLT, M6X 12	5	5	5	5				
20	1	26016-060162	BOLT, M6X 16	2	2	2	2				
21	1	26051-060002	NUT, M6	2	2	2	2				
22	1	1N3390-25000	AXLE, 7F	1	1	1	1				
23	1	1N3300-25100	JOINT 6004	1	1	1	1				
24	1	22242-000200	RING, 20	3	3	3	3				
25	1	24104-060044	BEARING, BALL 6004UU	1	1	1	1				
26	1	26051-060002	NUT, M6	3	3	3	3				

Fig.6. HANDLE

(A)=YSR70F
(B)=YSR70F-S
(C)=YSR70F-L

(D)=YSR70F-LS
(E)=
(F)=

No.	Lev.	Parts No.	Description	Q'ty						I	R
				(A)	(B)	(C)	(D)	(E)	(F)		
1	1	1N3390-30000	HANDLE	2	2	2	2				
2	1	1N3390-30100	FRAME, HANDLE	1	1	1	1				
3	1	1N1710-82140	GRIP BK-8,HANDLE	2	2	2	2				
4	1	22137-080000	WASHER, 8	4	4	4	4				
5	1	26016-080162	BOLT, M8X 16	4	4	4	4				
6	1	26016-100252	BOLT M10X 25	4	4	4	4				

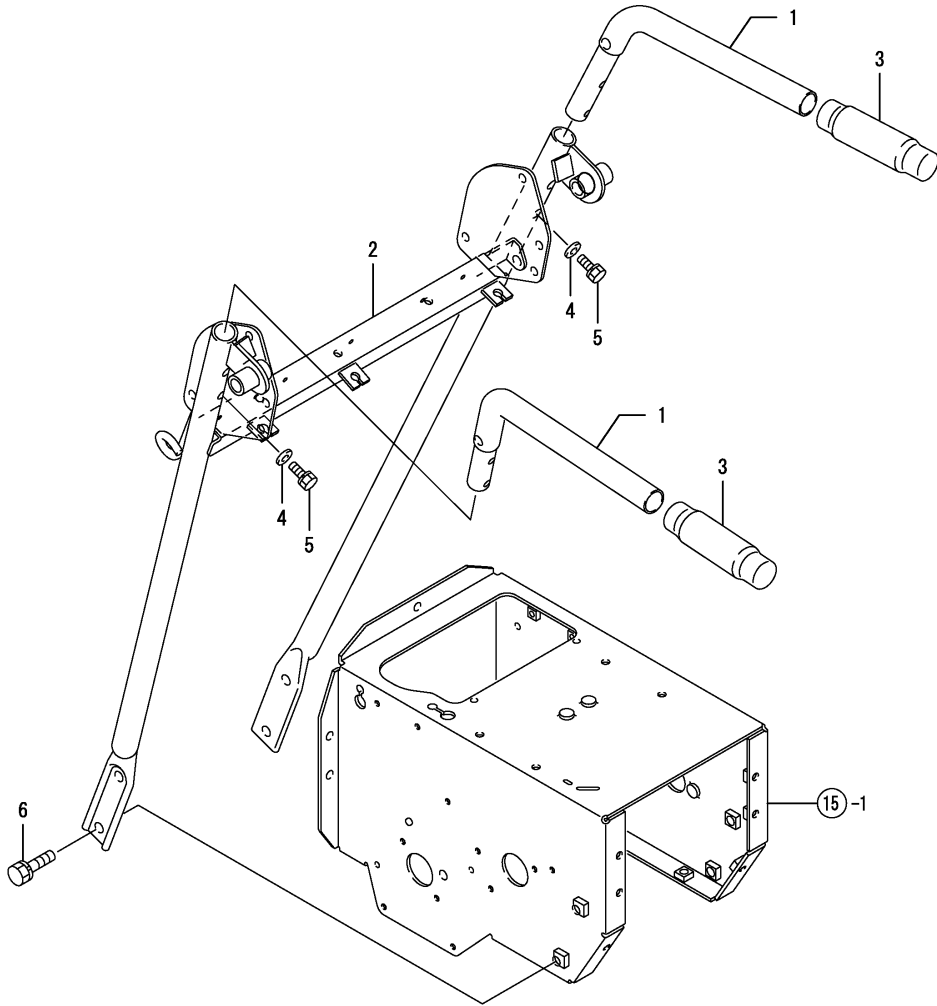
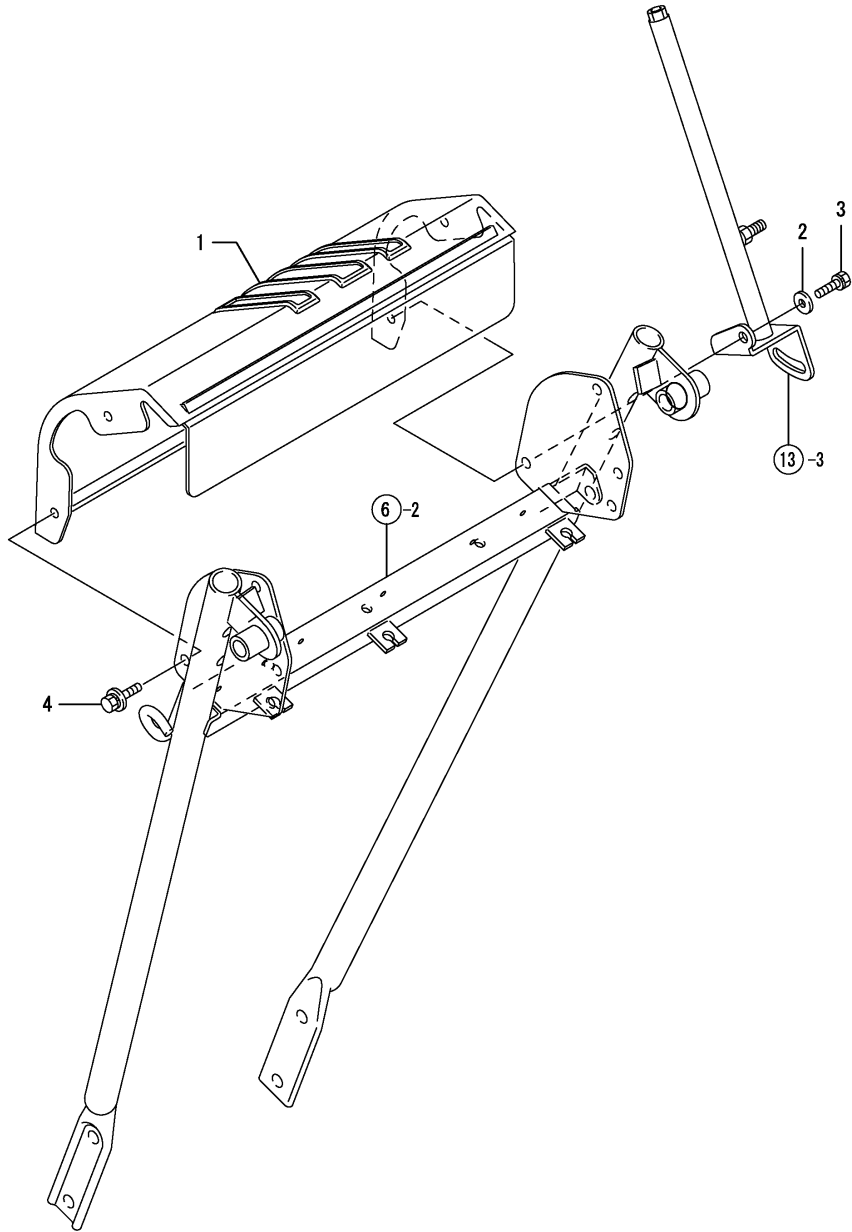


Fig.7. CONTROL PANEL



(A)=YSR70F
 (B)=YSR70F-S
 (C)=YSR70F-L

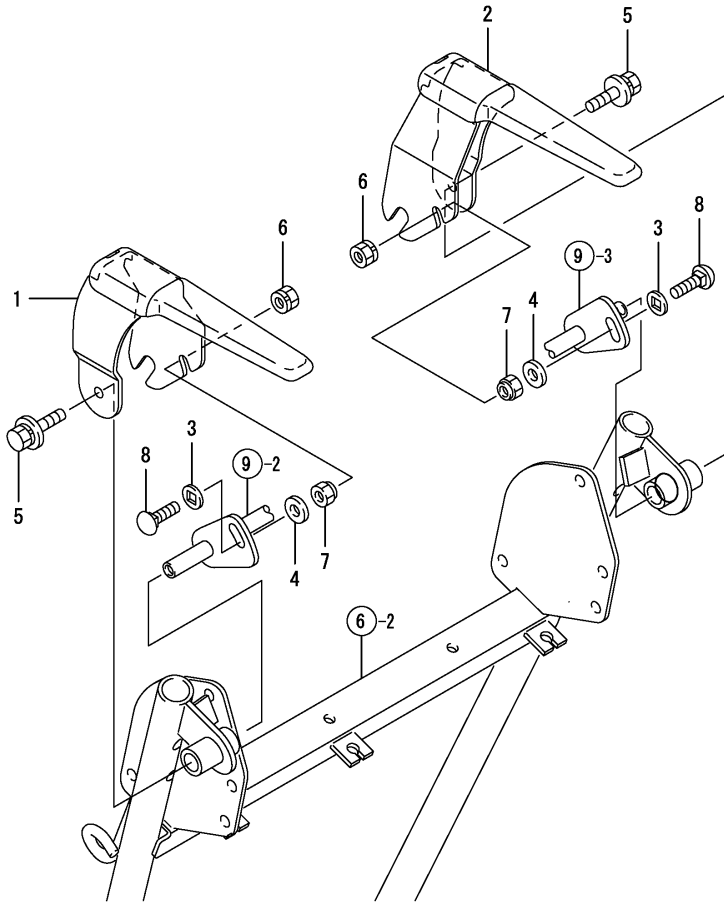
(D)=YSR70F-LS
 (E)=
 (F)=

No.	Lev.	Parts No.	Description	Qty						I	R
				(A)	(B)	(C)	(D)	(E)	(F)		
1	1	7N3390-30290	PL.ASSY,OPERAT.PANEL	1	1	1	1				
2	1	22157-060000	WASHER, 6	1	1	1	1				
3	1	26016-060162	BOLT, M6X 16	1	1	1	1				
4	1	26018-060124	BOLT, 6 X 12	3	3	3	3				

Fig.8. DEAD MAN LEVER

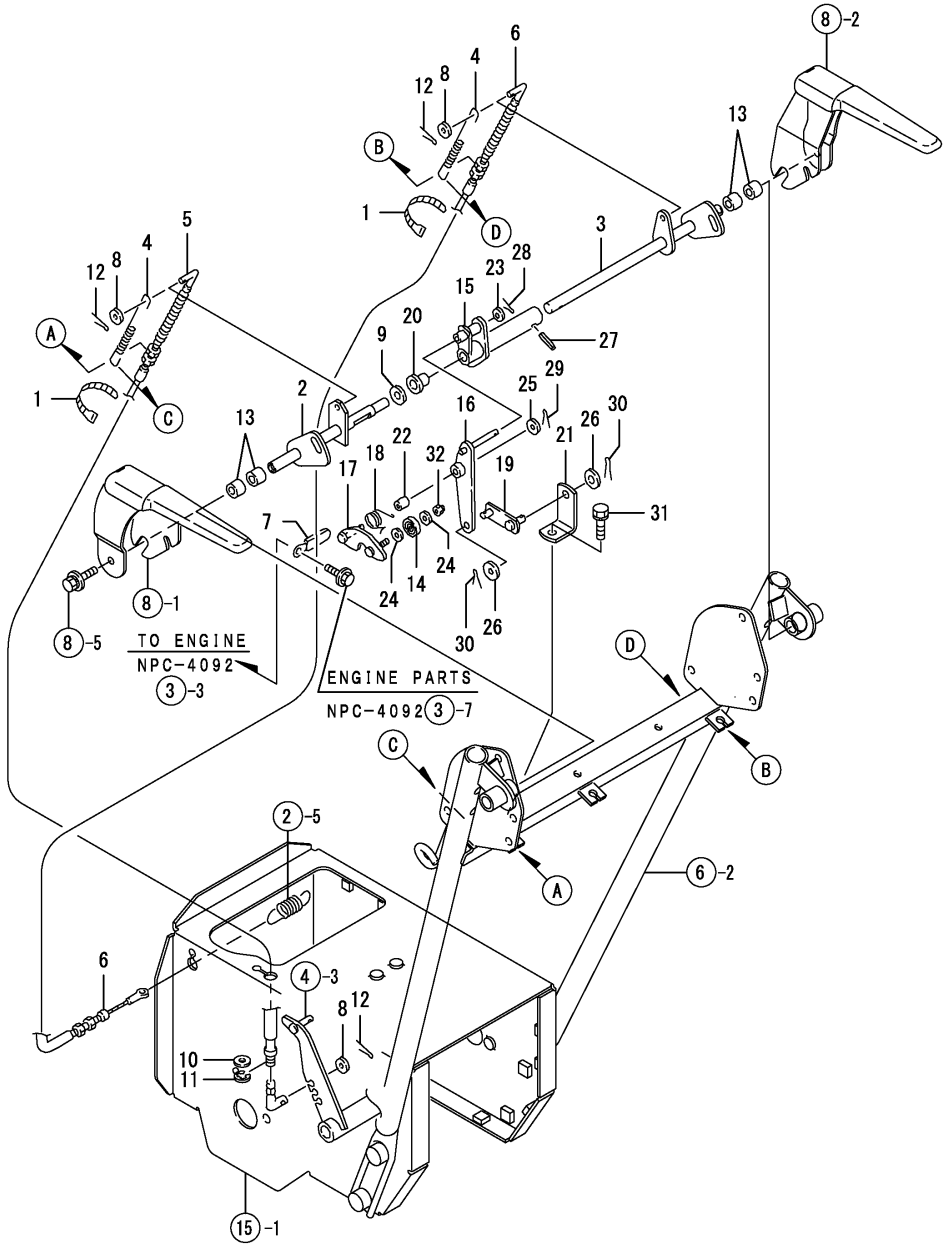
(A)=YSR70F
(B)=YSR70F-S
(C)=YSR70F-L

(D)=YSR70F-LS
(E)=
(F)=



No.	Lev.	Parts No.	Description	Q'ty						I	R
				(A)	(B)	(C)	(D)	(E)	(F)		
1	1	1N3390-31000	LEVER, DEAD MAN L	1	1	1	1				
2	1	1N3390-31050	LEVER, DEAD MAN R	1	1	1	1				
3	1	1N3320-71290	WASHER	2	2	2	2				
4	1	22137-080000	WASHER, 8	2	2	2	2				
5	1	26018-080164	BOLT, 8 X 16	2	2	2	2				
6	1	26051-080002	NUT, M8	2	2	2	2				
7	1	26347-080002	NUT, M8	2	2	2	2				
8	1	26487-080252	BOLT, M8X25	2	2	2	2				

Fig.9. CLUTCH & CLUTCH LOCK

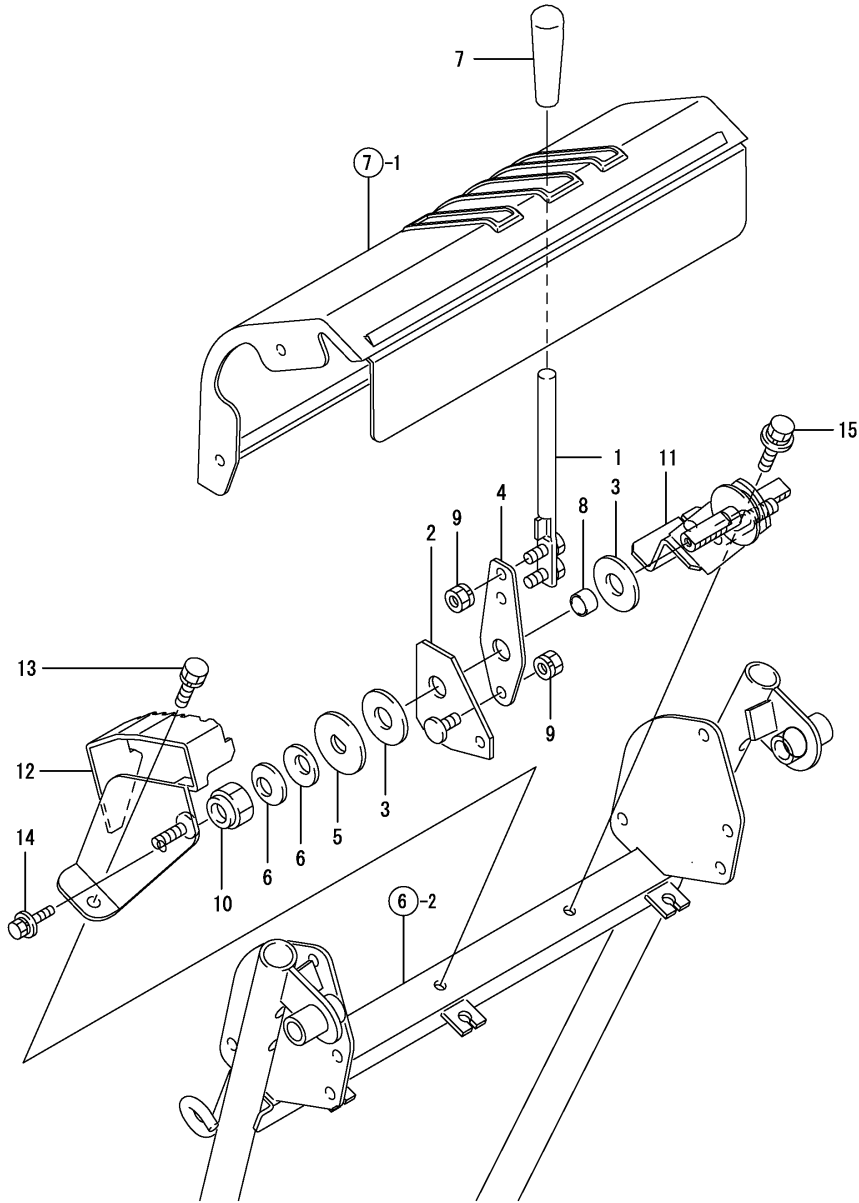


(A)=YSR70F
(B)=YSR70F-S
(C)=YSR70F-L

(D)=YSR70F-LS
(E)=
(F)=

No.	Lev.	Parts No.	Description	Qty						I	R
				(A)	(B)	(C)	(D)	(E)	(F)		
1	1	1J3999-07000	BAND 100B	3	3	3	3				
2	1	1N3370-31200	SHAFT,TRAVEL CLUTCH	1	1	1	1				
3	1	1N3370-31300	SHAFT,SNOW RMV.CLTCH	1	1	1	1				
4	1	1N3370-31450	SPRING, 9X145	2	2	2	2				
5	1	1N3390-31600	WIRE, TRAVEL	1	1	1	1				
6	1	1N3300-31651	WIRE,SNOW,REMOVING	1	1	1	1				
7	1	1N1710-32600	CLAMP 8X70	1	1	1	1				
8	1	22117-060000	WASHER, 6	3	3	3	3				
9	1	22117-100000	WASHER, 10	1	1	1	1				
10	1	22137-080000	WASHER, 8	1	1	1	1				
11	1	22272-000070	RING, E- 7	1	1	1	1				
12	1	22417-200100	PIN, 2.0 X 10	3	3	3	3				
13	1	24550-012150	BUSH, 12X15	4	4	4	4				
14	1	1J3999-06000	BEARING 626-2NSL	1	1	1	1				
15	1	1N3330-31350	ARMCLUTCH LOCK SHAFT	1	1	1	1				
16	1	1N3300-31400	CATCH,LOCK CLAW	1	1	1	1				
17	1	1N3021-31451	CLAW,CLUTCH LOCK	1	1	1	1				
18	1	1N3021-31480	SPRING,LOCK CLAW	1	1	1	1				
19	1	1N3300-31500	GUIDE,LOCK CLAW	1	1	1	1				
20	1	1N3021-31580	BUSH 10X15,FLANGED	1	1	1	1				
21	1	1N3370-31700	SEAT, LOCK CLAW	1	1	1	1				
22	1	1C1011-45020	BUSH, 6X8X10	1	1	1	1				
23	1	22117-060000	WASHER, 6	1	1	1	1				
24	1	22117-060000	WASHER, 6	2	2	2	2				
25	1	22117-060000	WASHER, 6	1	1	1	1				
26	1	22117-080000	WASHER, 8	2	2	2	2				
27	1	22351-050020	PIN, SPRING 5.0X20	1	1	1	1				
28	1	22417-160100	PIN, 1.6 X 10	1	1	1	1				
29	1	22417-160100	PIN, 1.6 X 10	1	1	1	1				
30	1	22417-200160	PIN, COTTER 2.0X16	2	2	2	2				
31	1	26016-080164	BOLT, 8 X 16	1	1	1	1				
32	1	26347-060002	NUT, M6	1	1	1	1				

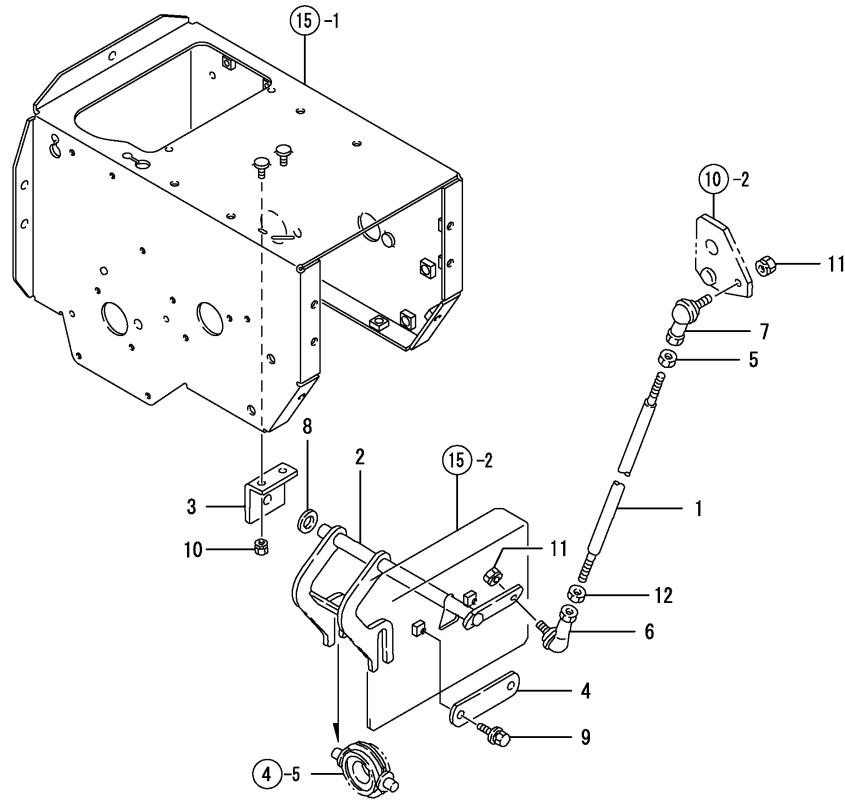
Fig.10. CHANGE LEVER



(A)=YSR70F (D)=YSR70F-LS
 (B)=YSR70F-S (E)=
 (C)=YSR70F-L (F)=

No.	Lev.	Parts No.	Description	Qty						I	R
				(A)	(B)	(C)	(D)	(E)	(F)		
1	1	1N3360-32000	CHANGE LEVER	1	1	1	1				
2	1	1N3335-32050	ARM, CHANGE	1	1	1	1				
3	1	1N3330-32090	FRICTION PLATE	2	2	2	2				
4	1	1N3335-32090	SPRING,CHANGE LEVER	1	1	1	1				
5	1	1N1723-32350	LOCK WASHER	1	1	1	1				
6	1	1C6320-64680	SPRING, H14	2	2	2	2				
7	1	1E6570-64760	GRIP, LEVER 12	1	1	1	1				
8	1	24550-014100	BUSH, 14X10	1	1	1	1				
9	1	26051-080002	NUT, M8	3	3	3	3				
10	1	26357-140002	NUT, M14	1	1	1	1				
11	1	1N3370-32100	FULCRUM, LEVER	1	1	1	1				
12	1	1N3390-32400	CATCH,FULCRUM	1	1	1	1				
13	1	26016-080164	BOLT, 8 X 16	1	1	1	1				
14	1	26018-060162	BOLT, M6X 16	1	1	1	1				
15	1	26018-080164	BOLT, 8 X 16	1	1	1	1				

Fig.11. CHANGE ROD

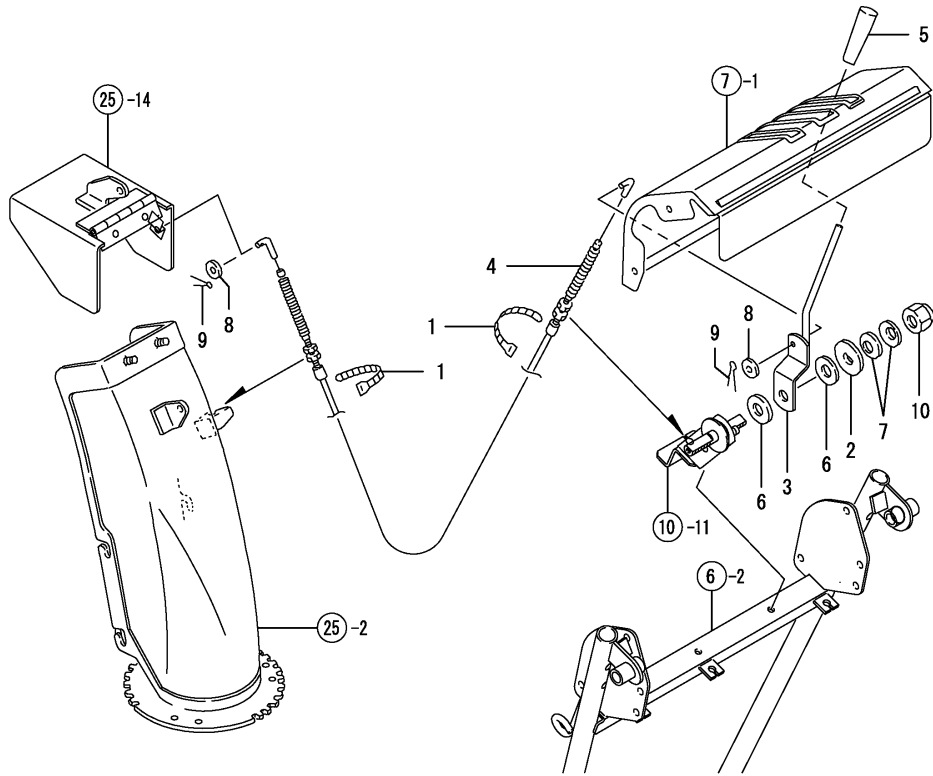


(A)=YSR70F
(B)=YSR70F-S
(C)=YSR70F-L

(D)=YSR70F-LS
(E)=
(F)=

No.	Lev.	Parts No.	Description	Q'ty						I	R
				(A)	(B)	(C)	(D)	(E)	(F)		
1	1	1N3390-32200	ROD, CHANGE LEVER	1	1	1	1				
2	1	1N3300-32300	ARM,SLIDE	1	1	1	1				
3	1	1N3330-32390	BEARING, SLIDE ARM	1	1	1	1				
4	1	1N3300-32500	GUIDE,ARM,SLIDE	1	1	1	1				
5	1	1N1570-32950	NUT 8	1	1	1	1				
6	1	1E4760-43090	BALL RBL8,LINK	1	1	1	1				
7	1	1E6740-64200	BALL BL8DL, LINK	1	1	1	1				
8	1	22117-120000	WASHER, 12	1	1	1	1				
9	1	26018-060162	BOLT, M6X 16	2	2	2	2				
10	1	26051-060002	NUT, M6	2	2	2	2				
11	1	26051-080002	NUT, M8	2	2	2	2				
12	1	26717-080002	NUT, M8	1	1	1	1				

Fig.12. CHUTE LEVER



(A)=YSR70F
(B)=YSR70F-S
(C)=YSR70F-L

(D)=YSR70F-LS
(E)=
(F)=

No.	Lev.	Parts No.	Description	Qty						I	R
				(A)	(B)	(C)	(D)	(E)	(F)		
1	1	1J3999-07000	BAND 100B	2	2	2	2				
2	1	1N1723-32350	LOCK WASHER	1	1	1	1				
3	1	1N3370-34000	LEVER, CHUTE	1	1	1	1				
4	1	1N3300-34201	WIRE COMP.,SHOOT	1	1	1	1				
5	1	1A1140-58050	GRIP, STAND	1	1	1	1				
6	1	1E6680-64240	PLATE, FRICTION	2	2	2	2				
7	1	1C6320-64680	SPRING, H14	2	2	2	2				
8	1	22117-060000	WASHER, 6	2	2	2	2				
9	1	22417-200100	PIN, 2.0 X 10	2	2	2	2				
10	1	26357-140002	NUT, M14	1	1	1	1				

Fig.13. CHUTE HANDLE

(A)=YSR70F
(B)=YSR70F-S
(C)=YSR70F-L

(D)=YSR70F-LS
(E)=
(F)=

No.	Lev.	Parts No.	Description	Qty						I	R
				(A)	(B)	(C)	(D)	(E)	(F)		
1	1	1N3390-34350	HANDLE, CHUTE	1	1	1	1				
2	1	1N3021-34390	SPACER 10X14X1	1	1	1	1				
3	1	1N3390-34500	STAY,CHUTE HANDLE	1	1	1	1				
4	1	1N3390-34530	SUPPORT,HANDLE	1	1	1	1				
5	1	1N3390-34600	ROD,CONNECTION	1	1	1	1				
6	1	1N3330-34651	JOINT, CONNECTING	1	1	1	1				
7	1	1N3330-34700	JOINT FULCRUM	1	1	1	1				
8	1	1N3021-34710	JOINT FULCRUM,PIN 8	1	1	1	1				
9	1	1N3021-34720	RIVET 4X27.5	1	1	1	1				
10	1	1N1711-35520	GRIP,SHOOT	1	1	1	1				
11	1	1F5300-43300	BUSH, 1015	1	1	1	1				
12	1	1N3260-73250	RIVET 4X19.5	1	1	1	1				
13	1	22137-060000	WASHER, 6	1	1	1	1				
14	1	22137-080000	WASHER, 8	1	1	1	1				
15	1	22372-040000	PIN, SNAP 4	1	1	1	1				
16	1	22417-200100	PIN, 2.0 X 10	1	1	1	1				
17	1	22417-200160	PIN, COTTER 2.0X16	1	1	1	1				
18	1	26018-080204	BOLT, 8 X 20	1	1	1	1				
19	1	26717-080002	NUT, M8	1	1	1	1				
20	1	26717-080002	NUT, M8	1	1	1	1				

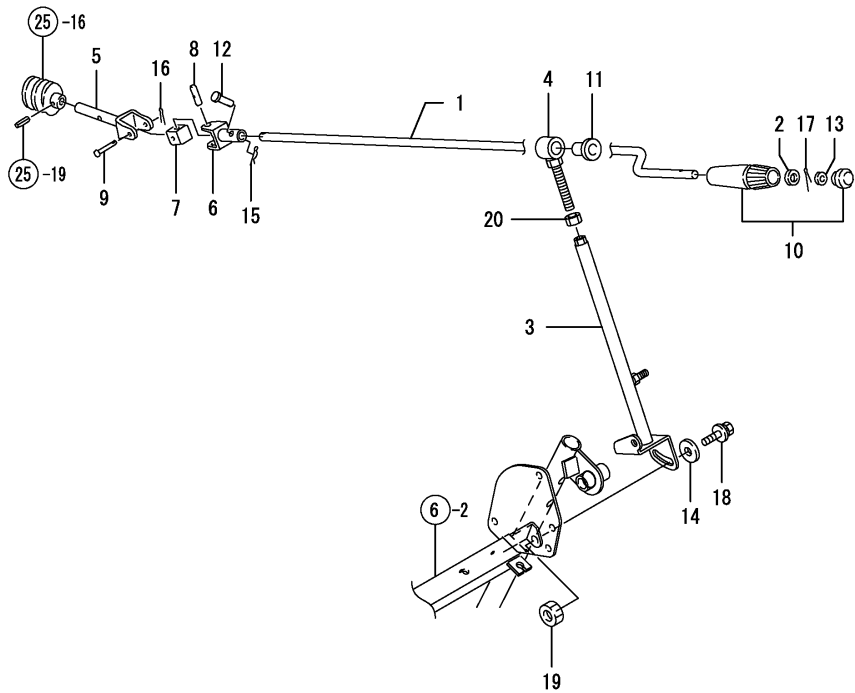
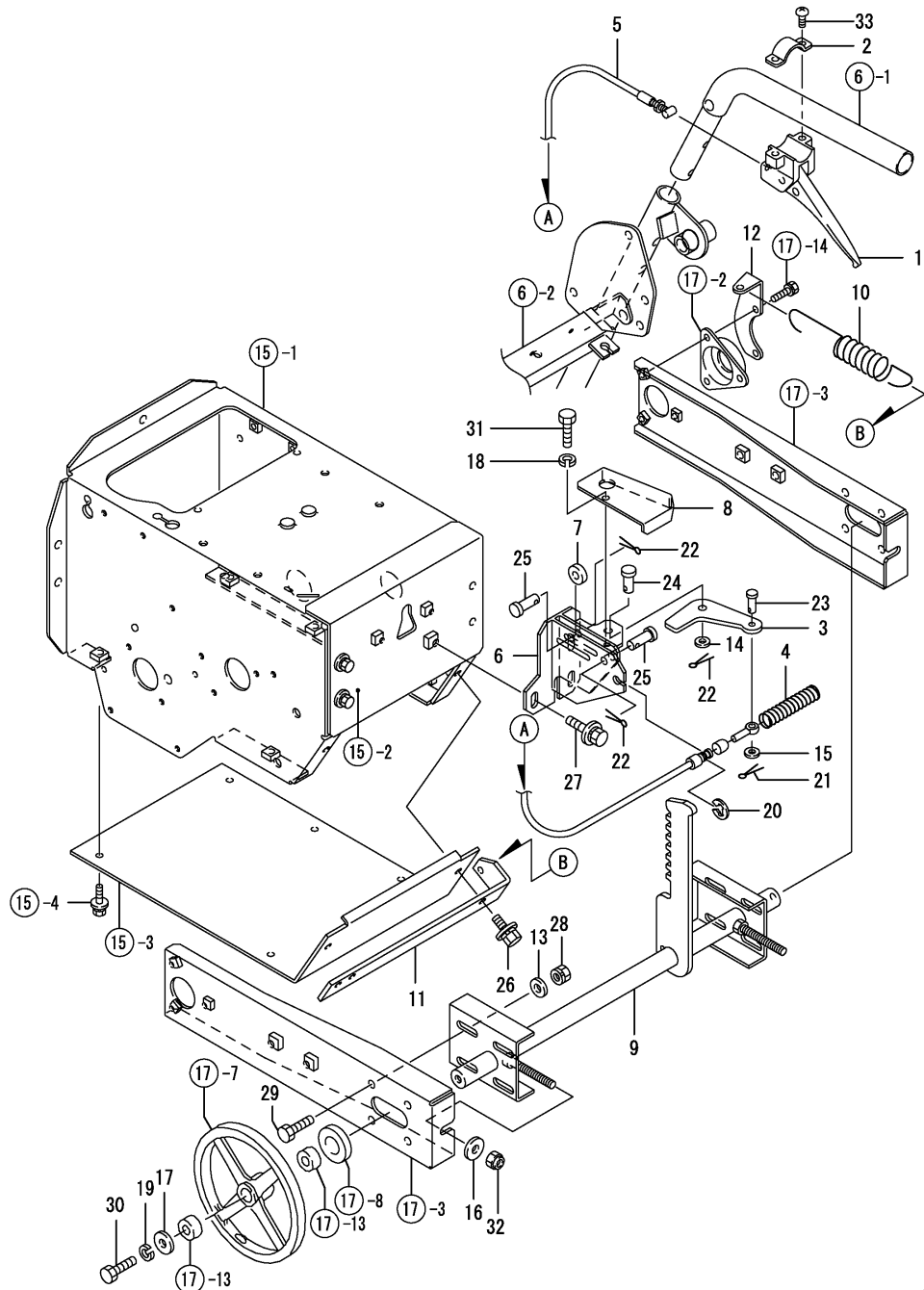


Fig.14. LIFTING

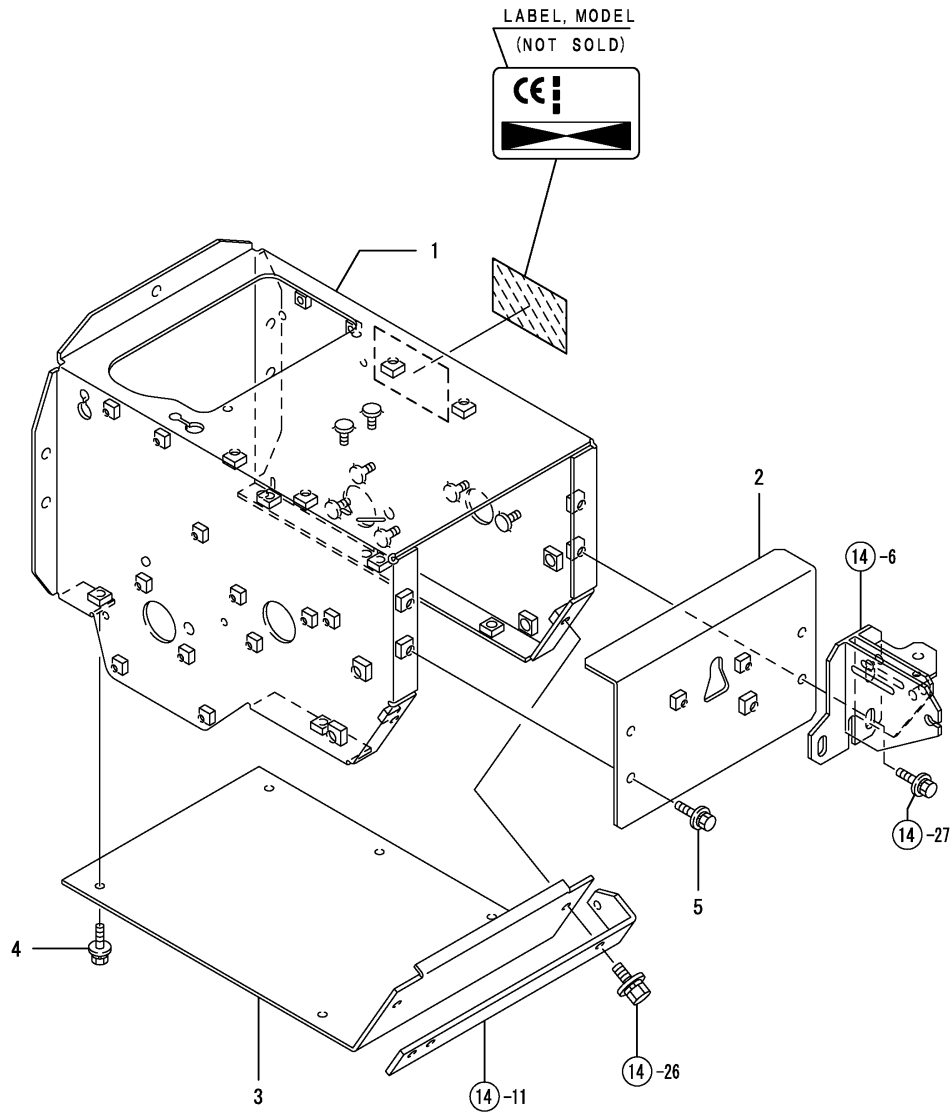


(A)=YSR70F
(B)=YSR70F-S
(C)=YSR70F-L

(D)=YSR70F-LS
(E)=
(F)=

No.	Lev.	Parts No.	Description	Q'ty						I	R
				(A)	(B)	(C)	(D)	(E)	(F)		
1	1	1N3390-35000	LEVER,LIFT	1	1	1	1				
2	1	1N3390-35060	PLATE	1	1	1	1				
3	1	1N3390-35100	PLATE,STOPPER	1	1	1	1				
4	1	1N3390-35150	SPRING,15X70	1	1	1	1				
5	1	1N3390-35250	WIRE,LIFTING	1	1	1	1				
6	1	1N3390-35300	SUPPORT,LIFTING	1	1	1	1				
7	1	1N3390-35400	COLLER,GUIDE	1	1	1	1				
8	1	1N3390-35450	COVER,LIFT	1	1	1	1				
9	1	1N3390-35500	SHAFT,IDLER	1	1	1	1				
10	1	1N3390-35600	SPRING,LIFT	1	1	1	1				
11	1	1N3390-35650	STAY,SPRING A	1	1	1	1				
12	1	1N3390-35700	STAY,SPRING B	1	1	1	1				
13	1	22137-080000	WASHER, 8	8	8	8	8				
14	1	22137-080000	WASHER, 8	1	1	1	1				
15	1	22157-060000	WASHER, 6	1	1	1	1				
16	1	22157-080000	WASHER, 8	2	2	2	2				
17	1	22157-080000	WASHER, 8	2	2	2	2				
18	1	22217-060000	WASHER, SPRING 6	1	1	1	1				
19	1	22217-080000	WASHER, SPRING 8	2	2	2	2				
20	1	22272-000060	RING, E- 6	1	1	1	1				
21	1	22417-160100	PIN, 1.6 X 10	1	1	1	1				
22	1	22417-200160	PIN, COTTER 2.0X16	3	3	3	3				
23	1	22487-060160	PIN, H 6X 16	1	1	1	1				
24	1	22487-080120	PIN, H 8X 12	1	1	1	1				
25	1	22487-080160	PIN, H 8X 16	2	2	2	2				
26	1	26018-060164	BOLT, 6 X 16	2	2	2	2				
27	1	26018-080202	BOLT, M8X 20	3	3	3	3				
28	1	26051-080002	NUT, M8	8	8	8	8				
29	1	26116-080202	BOLT, M8X 20 PLATED	8	8	8	8				
30	1	26116-080252	BOLT, M8X 25 PLATED	2	2	2	2				
31	1	26117-060122	BOLT, 6 X 12	1	1	1	1				
32	1	26347-080002	NUT, M8	2	2	2	2				
33	1	26557-060252	SCREW, M6X25	2	2	2	2				

Fig.15. CHASSIS FRAME



(A)=YSR70F
(B)=YSR70F-S
(C)=YSR70F-L

(D)=YSR70F-LS
(E)=
(F)=

No.	Lev.	Parts No.	Description	Q'ty						I	R
				(A)	(B)	(C)	(D)	(E)	(F)		
1	1	1N3390-36000	CHASSIS	1	1	1	1				
2	1	1N3390-36100	CHASSIS,REAR	1	1	1	1				
3	1	1N3390-36200	CHASSIS,BOTTOM	1	1	1	1				
4	1	26018-060124	BOLT, 6 X 12	5	5	5	5				
5	1	26018-080164	BOLT, 8 X 16	2	2	2	2				

Fig.16. BELT COVER & GEAR COVER

(A)=YSR70F
 (B)=YSR70F-S
 (C)=YSR70F-L
 (D)=YSR70F-LS
 (E)=
 (F)=

No.	Lev.	Parts No.	Description	Q'ty						I	R
				(A)	(B)	(C)	(D)	(E)	(F)		
1	1	1N3390-37300	RUBBER,EDGE 25	1	1	1	1				
2	1	7N3390-37000	PL.ASSY,BELT COVER	1	1	1	1				
3	1	26018-060124	BOLT, 6 X 12	4	4	4	4				
4	1	1N3390-37100	COVER,GEAR	1	1	1	1				
5	1	26018-060124	BOLT, 6 X 12	4	4	4	4				

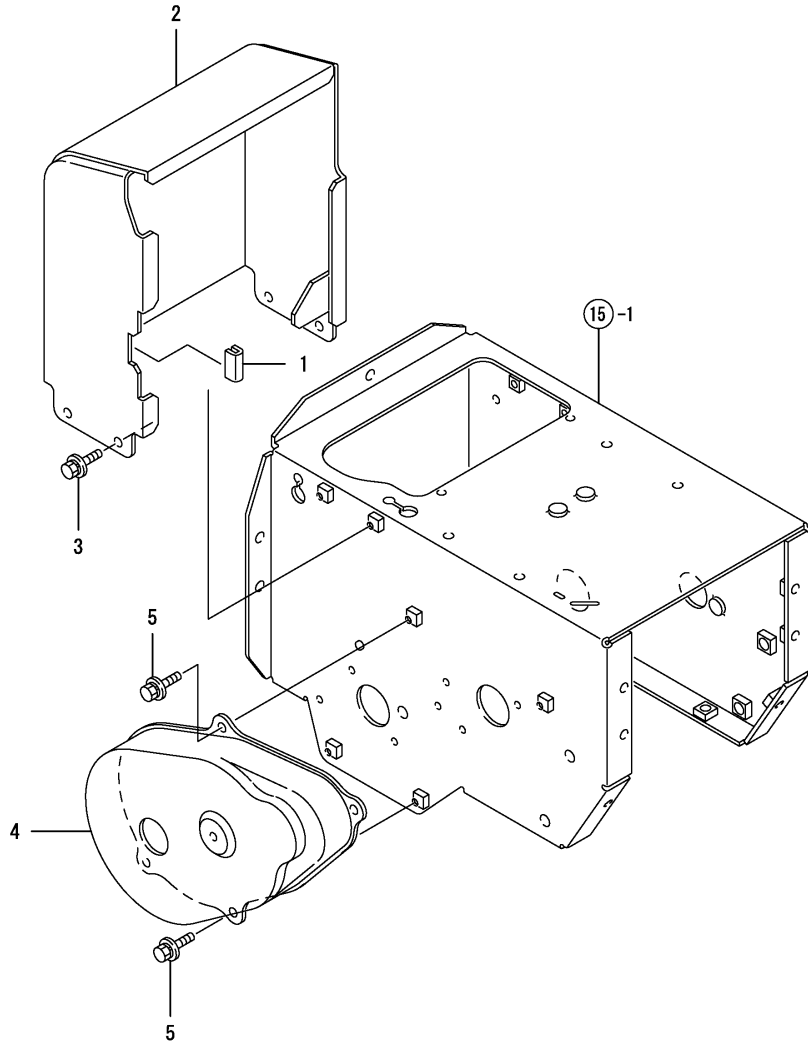
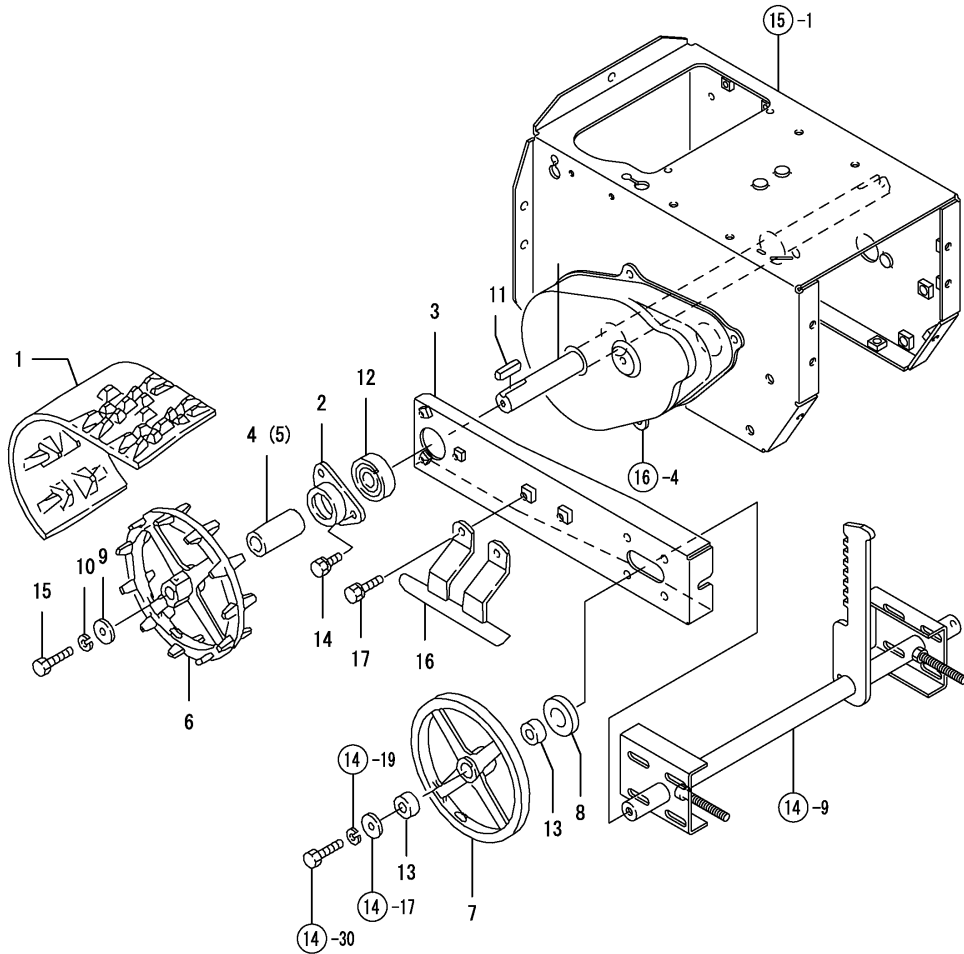


Fig.17. CRAWLER

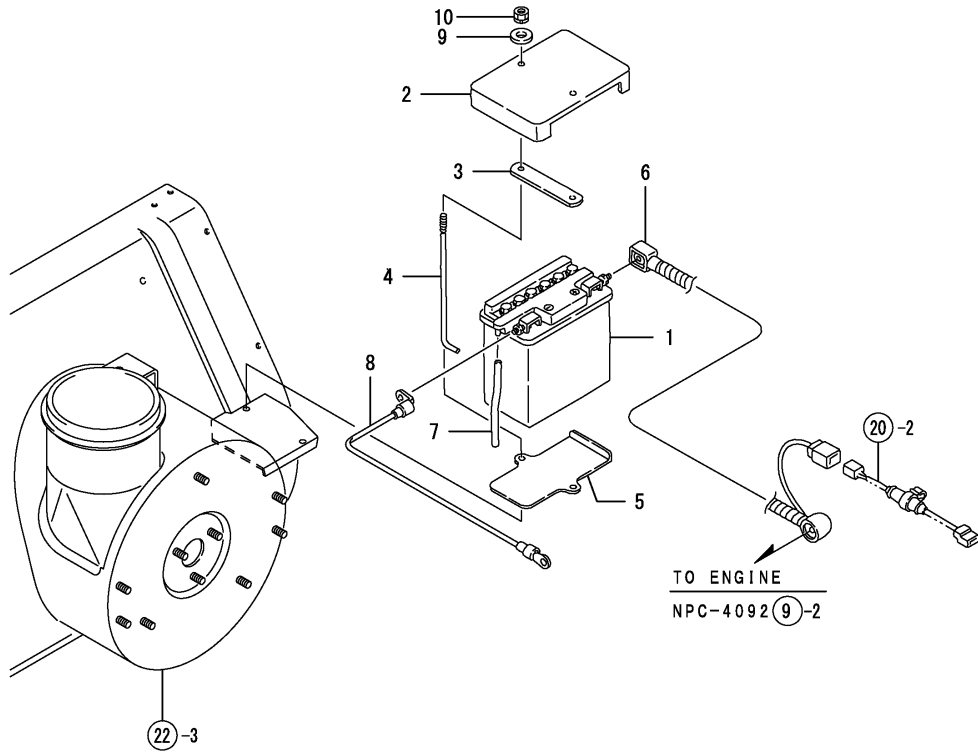


(A)=YSR70F
(B)=YSR70F-S
(C)=YSR70F-L

(D)=YSR70F-LS
(E)=
(F)=

No.	Lev.	Parts No.	Description	Qty						I	R
				(A)	(B)	(C)	(D)	(E)	(F)		
1	1	1N3360-38000	CRAWLER	2	2	2	2				
2	1	1N3300-25100	JOINT 6004	2	2	2	2				
3	1	1N3390-38200	FRAME,CRAWLER	2	2	2	2				
4	1	1N3390-38400	COLLAR 20X25X29.7	1	1	1	1				
5	1	1N3390-38450	COLLAR.20X25X58	1	1	1	1				
6	1	1N1723-38500	SPROCKET, 11-43	2	2	2	2				
7	1	1N3021-38600	WHEEL	2	2	2	2				
8	1	22137-200000	WASHER, 20	2	2	2	2				
9	1	22157-080000	WASHER, 8	2	2	2	2				
10	1	22217-080000	WASHER, SPRING 8	2	2	2	2				
11	1	22550-050300	KEY, 5 X 30	2	2	2	2				
12	1	24104-060044	BEARING, BALL 6004UU	2	2	2	2				
13	1	24550-020100	BUSH, 20X10	4	4	4	4				
14	1	26016-060162	BOLT, M6X 16	6	6	6	6				
15	1	26116-080252	BOLT, M8X 25 PLATED	2	2	2	2				
16	1	1N3370-38500	GUIDE,CRAWLER	2	2	2	2				
17	1	26016-080202	BOLT, M8X 20	4	4	4	4				

Fig.18. BATTERY



(A)=YSR70F
(B)=YSR70F-S
(C)=YSR70F-L

(D)=YSR70F-LS
(E)=
(F)=

No.	Lev.	Parts No.	Description	Q'ty						I	R
				(A)	(B)	(C)	(D)	(E)	(F)		
1	1	1N3300-51010	BATTERY YB12AL-A		1		1				
2	1	1N3300-51100	COVER, BATTERY		1		1				
3	1	1N3300-51150	PLATE, BATTERY KEEP		1		1				
4	1	1N3300-51200	BAR, BATTERY RETAINER		2		2				
5	1	1N3300-51250	GUIDE, BATTERY		1		1				
6	1	1N3300-51300	CABLE, BATTERY POSIT.		1		1				
7	1	1N1710-51350	PIPE, VINYL		1		1				
8	1	1N3300-51350	CABLE, BATTERY NEG.		1		1				
9	1	22157-060000	WASHER, 6		2		2				
10	1	26051-060002	NUT, M6		2		2				

Fig.19. HARNESS & SWITCH

(A)=YSR70F
 (B)=YSR70F-S
 (C)=YSR70F-L

(D)=YSR70F-LS
 (E)=
 (F)=

No.	Lev.	Parts No.	Description	Q'ty						I	R
				(A)	(B)	(C)	(D)	(E)	(F)		
1	1	1J3999-07000	BAND 100B	1		1					
2	1	1N3300-51400	HARNESS (T	1		1					
3	1	1E6102-84970	BAND 140	2		2					
4	1	1A1470-40900	SWITCH,STOP	1		1					
5	1	1N3300-51451	SEAT,SWICH T	1		1					
6	1	26018-080164	BOLT, 8 X 16	2		2					
7	1	26051-080002	NUT, M8	1		1					

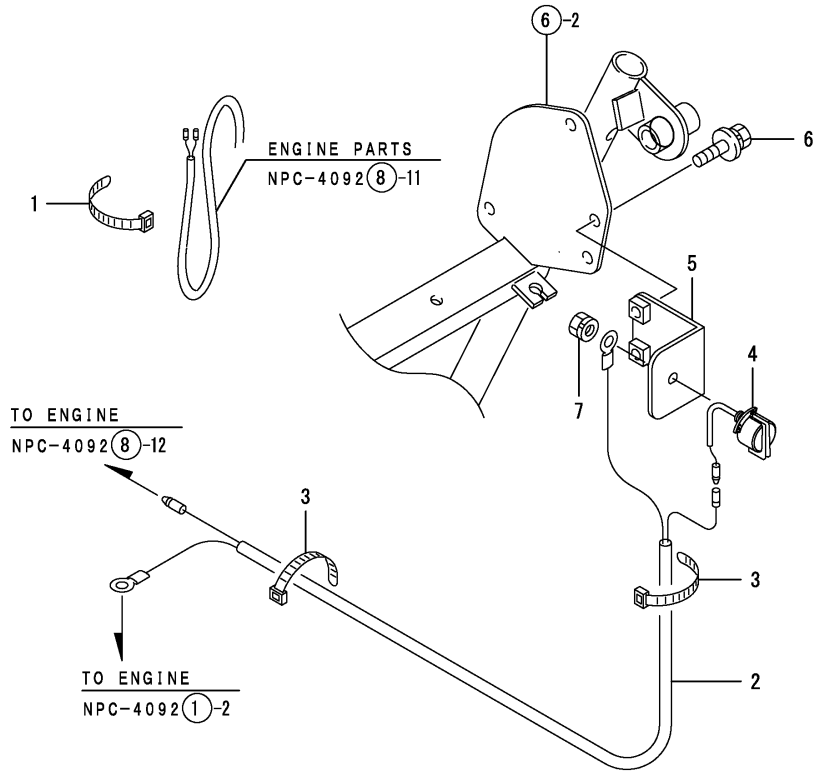
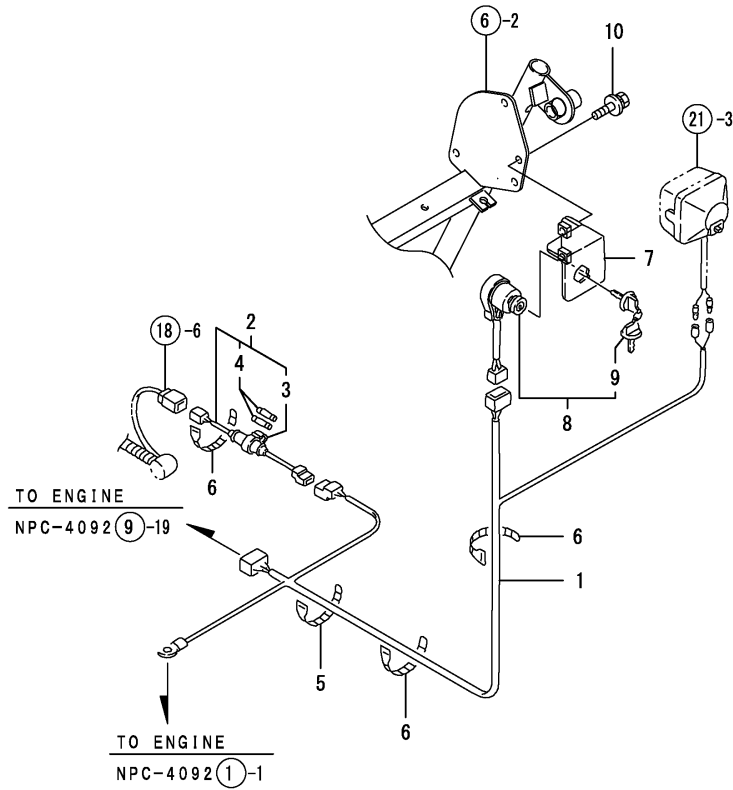


Fig.20. HARNESS & SWITCH

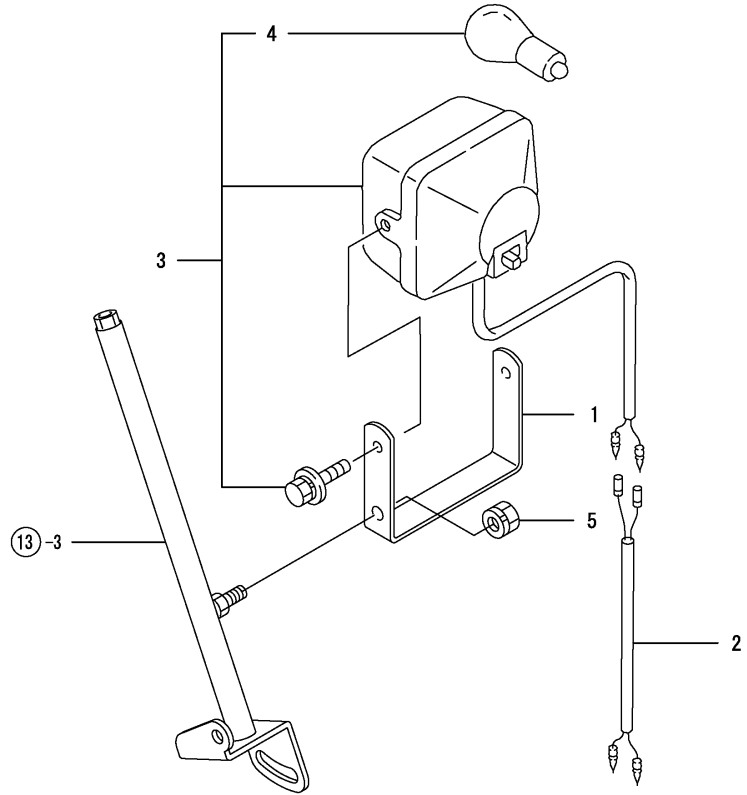


(A)=YSR70F
(B)=YSR70F-S
(C)=YSR70F-L

(D)=YSR70F-LS
(E)=
(F)=

No.	Lev.	Parts No.	Description	Q'ty						I	R
				(A)	(B)	(C)	(D)	(E)	(F)		
1	1	1N3390-51000	HARNESS		1		1				
2	1	1N3021-51550	HOLDER ASSY.,FUSE		1		1				
3	2	1N3021-51560	HOLDER, FUSE		1		1				
4	2	29411-200000	FUSE, CARTRIDGE 20A		2		2				
5	1	1E6102-84960	CABLE BAND 250		1		1				
6	1	1E6102-84970	BAND 140		3		3				
7	1	1N3300-51552	SEAT, SWITCH TS		1		1				
8	1	1N3021-52300	SWITCH ASSY.,KEY		1		1				
9	2	160797-77270	KEY, REVERSE		1		1				
10	1	26018-080164	BOLT, 8 X 16		2		2				

Fig.21. LAMP

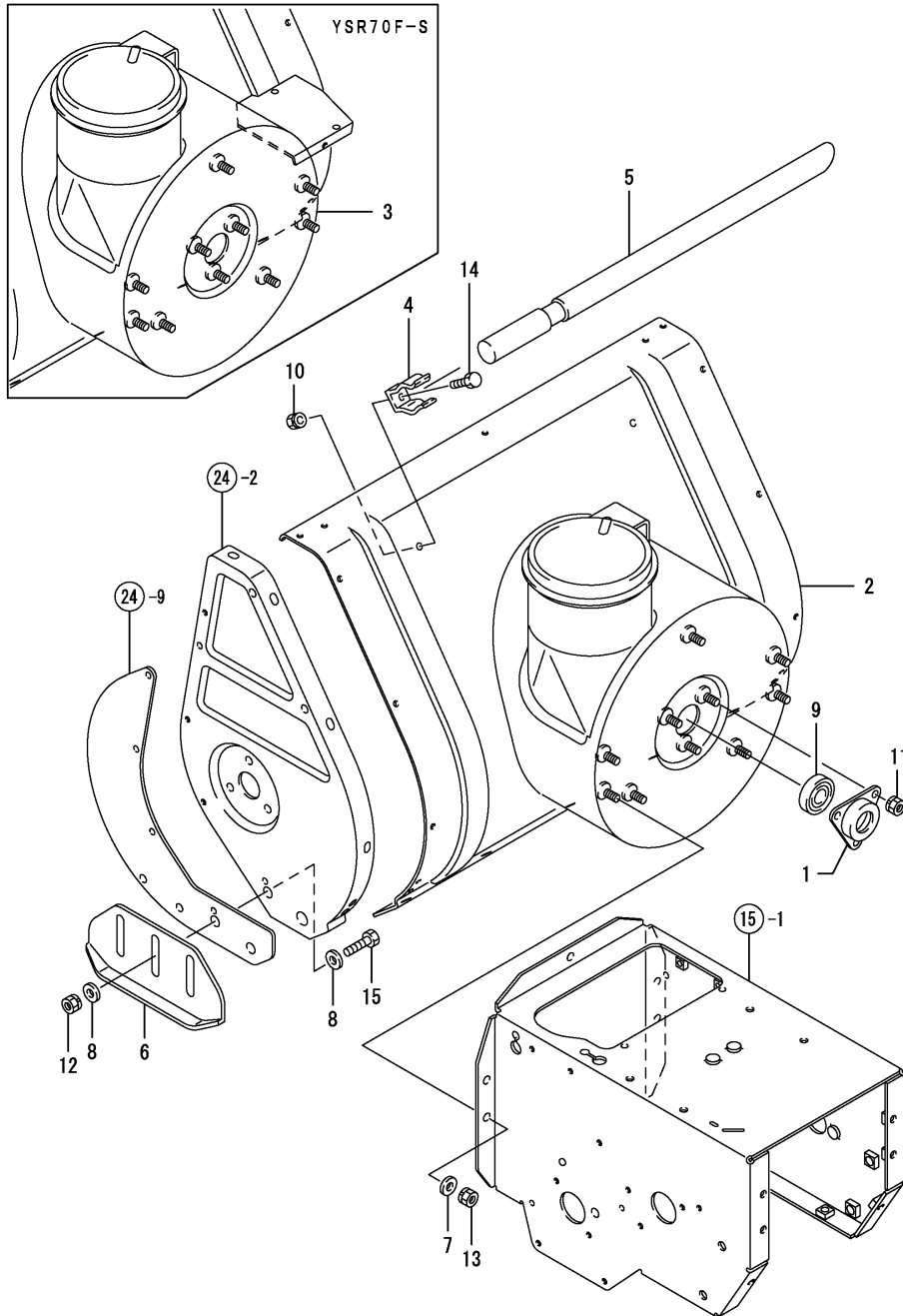


(A)=YSR70F
(B)=YSR70F-S
(C)=YSR70F-L

(D)=YSR70F-LS
(E)=
(F)=

No.	Lev.	Parts No.	Description	Qty						I	R
				(A)	(B)	(C)	(D)	(E)	(F)		
1	1	1N3400-51450	STAY,LIGHT	1	1	1	1				
2	1	1N3300-51480	HARNESS, LAMP	1		1					
3	1	1N1711-51850	HEADLIGHT COMPL.	1	1	1	1				
4	2	1N1711-51860	LAMP 12V-15W G23	1	1	1	1				
5	1	26051-080002	NUT, M8	1	1	1	1				

Fig.22. SNOW REMOVING FRAME

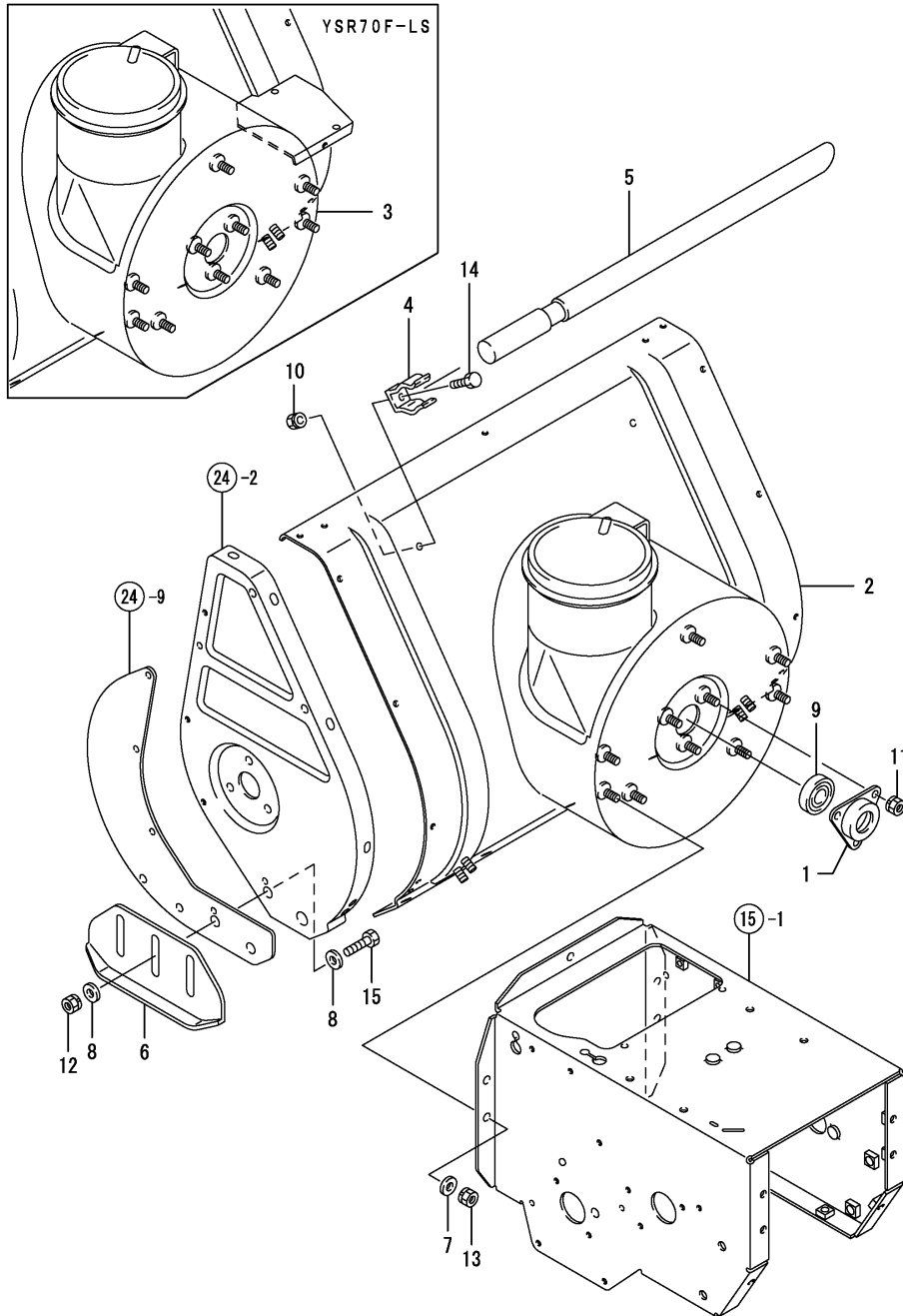


(A)=YSR70F
(B)=YSR70F-S
(C)=YSR70F-L

(D)=YSR70F-LS
(E)=
(F)=

No.	Lev.	Parts No.	Description	Q'ty						I	R
				(A)	(B)	(C)	(D)	(E)	(F)		
1	1	1N1570-38210	BEARING 6203B	1	1						
2	1	7N3390-71000	PL.ASSY,WORK FRAME	1							
3	1	7N3390-71100	PL.ASSY,WORK FRAME		1						
4	1	1N1710-71062	STOPPER		2						
5	1	1N1710-71071	ROD,SNOW SHOVELING		1						
6	1	1N3300-71401	SHOE		2						
7	1	22137-080000	WASHER, 8		5						
8	1	22137-080000	WASHER, 8		8						
9	1	24104-062034	BEARING, BALL 6203UU		1						
10	1	26051-060002	NUT, M6		2						
11	1	26051-080002	NUT, M8		3						
12	1	26051-080002	NUT, M8		4						
13	1	26051-080002	NUT, M8		5						
14	1	26117-060122	BOLT, 6 X 12		2						
15	1	26117-080202	BOLT, 8 X 20		4						

Fig.23. SNOW REMOVING FRAME

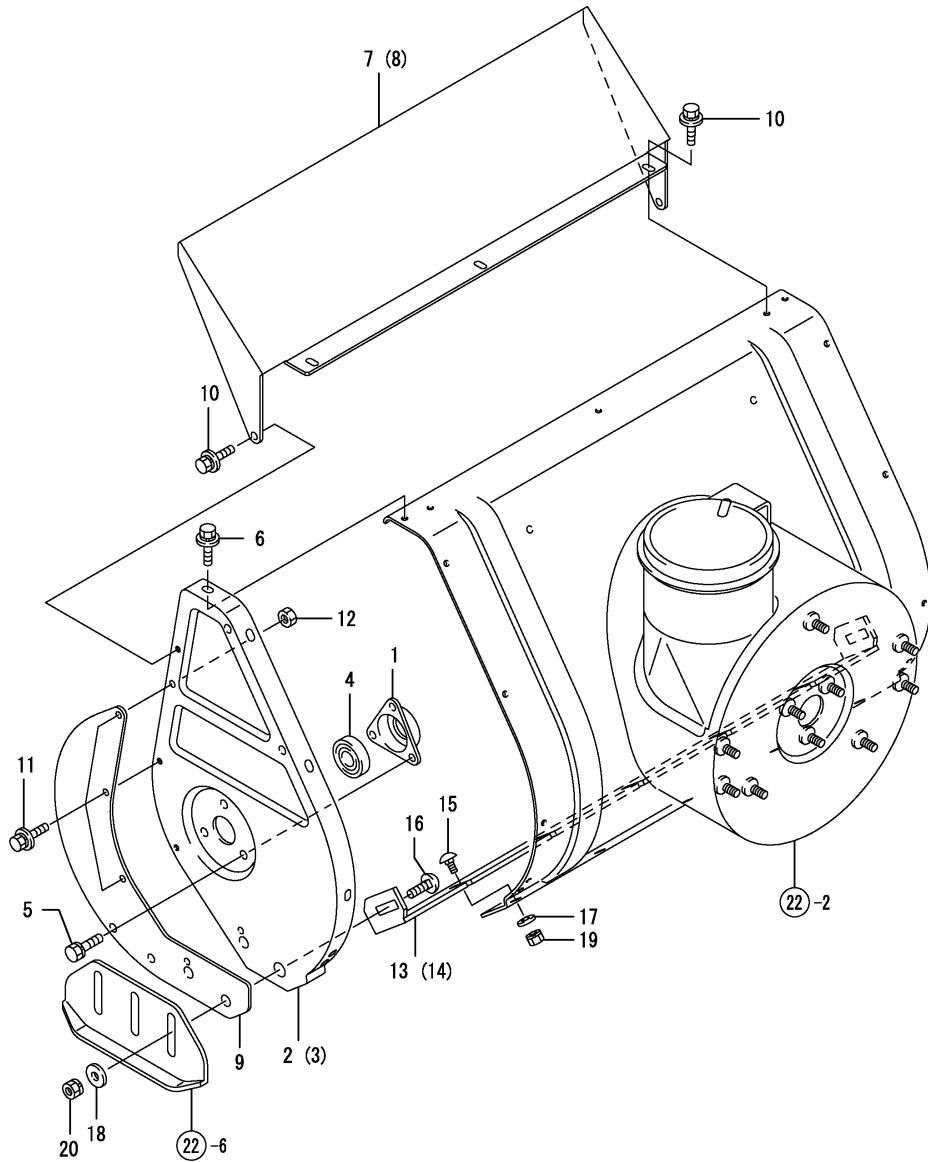


(A)=YSR70F
(B)=YSR70F-S
(C)=YSR70F-L

(D)=YSR70F-LS
(E)=
(F)=

No.	Lev.	Parts No.	Description	Qty						I	R
				(A)	(B)	(C)	(D)	(E)	(F)		
1	1	1N1570-38210	BEARING 6203B			1	1				
2	1	7N3390-71200	PL.ASSY,WORK FRAME			1					
3	1	7N3390-71300	PL.ASSY,WORK FRAME				1				
4	1	1N1710-71062	STOPPER				2	2			
5	1	1N1710-71071	ROD,SNOW SHOVELING				1	1			
6	1	1N3300-71401	SHOE				2	2			
7	1	22137-080000	WASHER, 8				5	5			
8	1	22137-080000	WASHER, 8				8	8			
9	1	24104-062034	BEARING, BALL 6203UU				1	1			
10	1	26051-060002	NUT, M6				2	2			
11	1	26051-080002	NUT, M8				3	3			
12	1	26051-080002	NUT, M8				4	4			
13	1	26051-080002	NUT, M8				5	5			
14	1	26117-060122	BOLT, 6 X 12				2	2			
15	1	26117-080202	BOLT, 8 X 20				4	4			

Fig.24. AUGER COVER

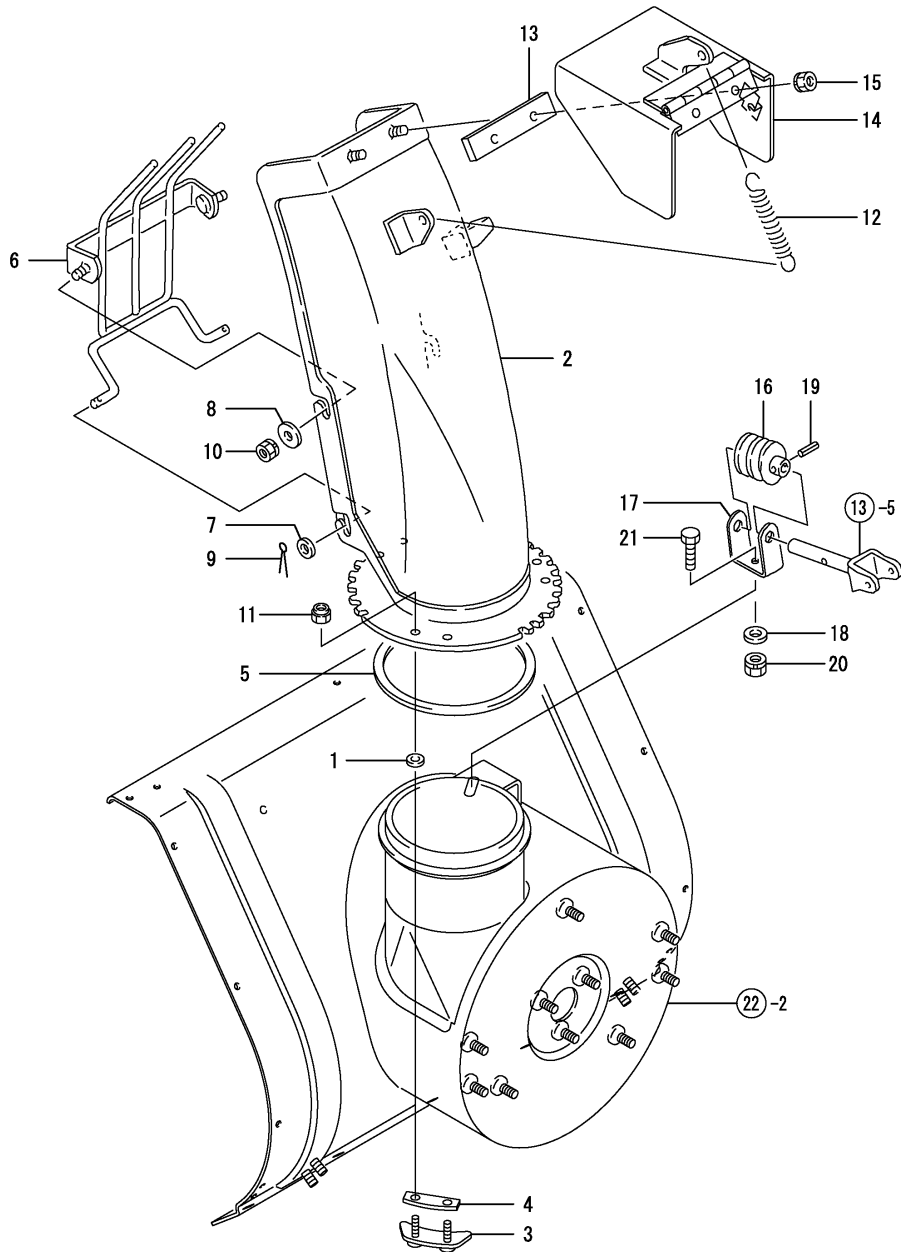


(A)=YSR70F
(B)=YSR70F-S
(C)=YSR70F-L

(D)=YSR70F-LS
(E)=
(F)=

No.	Lev.	Parts No.	Description	Qty						I	R
				(A)	(B)	(C)	(D)	(E)	(F)		
1	1	1N1570-38200	BEARING 6203C	2	2	2	2				
2	1	1N3310-71200	PLATE L,AUGER SIDE	1	1	1	1				
3	1	1N3310-71250	PLATE R,AUGER SIDE	1	1	1	1				
4	1	24104-062034	BEARING, BALL 6203UU	2	2	2	2				
5	1	26016-080164	BOLT, 8 X 16	6	6	6	6				
6	1	26018-060124	BOLT, 6 X 12	12	12	12	12				
7	1	1N3390-71500	COVER,AUGER CASE	1	1						
8	1	1N3310-71500	COVER,AUGER CASE			1	1				
9	1	1N3310-71551	COVER, AUGER SIDE 7W	2	2	2	2				
10	1	26018-060124	BOLT, 6 X 12	5	5	5	5				
11	1	26018-060124	BOLT, 6 X 12	6	6	6	6				
12	1	26717-060002	NUT, M6	2	2	2	2				
13	1	1N1713-71301	PLATE,BOTTOM(550	1	1						
14	1	1N3310-71301	PLATE,BOTTOM(650			1	1				
15	1	1N3300-71320	BOLT	5	5	5	5				
16	1	1N3300-71330	BOLT	2	2	2	2				
17	1	22137-060000	WASHER, 6	5	5	5	5				
18	1	22157-080000	WASHER, 8	2	2	2	2				
19	1	26051-060002	NUT, M6	5	5	5	5				
20	1	26051-080002	NUT, M8	2	2	2	2				

Fig.25. CHUTE

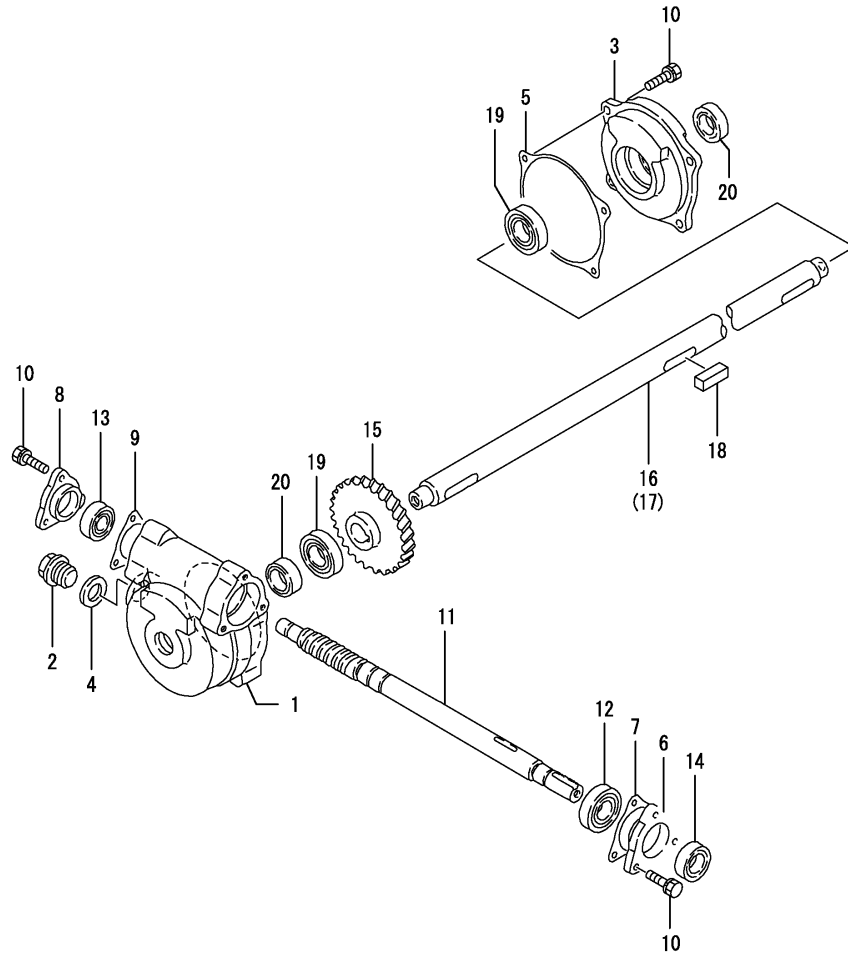


(A)=YSR70F
(B)=YSR70F-S
(C)=YSR70F-L

(D)=YSR70F-LS
(E)=
(F)=

No.	Lev.	Parts No.	Description	Qty						I	R
				(A)	(B)	(C)	(D)	(E)	(F)		
1	1	1J3999-02160	WASHER	6	6	6	6				
2	1	7N3390-73000	PL.ASSY,CHUTE	1	1	1	1				
3	1	1N3021-73201	FIXTURE A,SHOOTER	3	3	3	3				
4	1	1N1711-73240	SPACER	3	3	3	3				
5	1	1N1711-73280	PLATE,FLOOR	1	1	1	1				
6	1	1N1960-73502	GUARD	1	1	1	1				
7	1	22137-060000	WASHER, 6	2	2	2	2				
8	1	22157-060000	WASHER, 6	2	2	2	2				
9	1	22417-200120	PIN, 2.0 X 12	2	2	2	2				
10	1	26051-060002	NUT, M6	2	2	2	2				
11	1	26347-060002	NUT, M6	6	6	6	6				
12	1	1N1570-73150	SPRING,CHUTE	1	1	1	1				
13	1	1N1711-73170	RUBBER,SNOW PROTECT.	1	1	1	1				
14	1	1N3300-73202	DEFLECTOR, CHUTE 9W	1	1	1	1				
15	1	26051-060002	NUT, M6	2	2	2	2				
16	1	1N3390-73300	WORM,3X3L	1	1	1	1				
17	1	1N3390-73350	BEAKING,WORM	1	1	1	1				
18	1	22137-080000	WASHER, 8	1	1	1	1				
19	1	22351-050020	PIN, SPRING 5.0X20	1	1	1	1				
20	1	26051-080002	NUT, M8	1	1	1	1				
21	1	26117-080162	BOLT, 8 X 16	1	1	1	1				

Fig.26. GEAR CASE



(A)=YSR70F
(B)=YSR70F-S
(C)=YSR70F-L

(D)=YSR70F-LS
(E)=
(F)=

No.	Lev.	Parts No.	Description	Q'ty						I	R
				(A)	(B)	(C)	(D)	(E)	(F)		
1	1	1N1710-74002	CASE,GEAR	1	1	1	1				
2	1	1N1711-74000	BOLT,DRAIN	1	1	1	1				
3	1	1N1710-74012	COVER C,SNAP-IN	1	1	1	1				
4	1	1N1711-74010	PACKING 20X28X2,CU	1	1	1	1				
5	1	1N1570-74050	PACKING C	1	1	1	1				
6	1	1N1570-74110	COVER A,KEEP	1	1	1	1				
7	1	1N1570-74120	PACKING A	1	1	1	1				
8	1	1N1570-74130	COVER B,KEEP	1	1	1	1				
9	1	1N1570-74140	PACKING B	1	1	1	1				
10	1	26016-060202	BOLT, M6X 20	10	10	10	10				
11	1	1N1570-74101	SHAFT,WORM	1	1	1	1				
12	1	24107-060044	BEARING, BALL 6004ZZ	1	1	1	1				
13	1	24107-062024	BEARING, BALL 6202ZZ	1	1	1	1				
14	1	24421-203508	SEAL, OIL TC203508	1	1	1	1				
15	1	1N1710-74021	WHEEL,WORM	1	1	1	1				
16	1	1N3390-74200	SHAFT,AUGER(550	1	1						
17	1	1N3400-74200	SHAFT,AUGER			1	1				
18	1	22550-050300	KEY, 5 X 30	1	1	1	1				
19	1	24101-060044	BEARING, BALL 6004	2	2	2	2				
20	1	24421-203508	SEAL, OIL TC203508	2	2	2	2				

Fig.27. AUGER & BLOWER

(A)=YSR70F
(B)=YSR70F-S
(C)=YSR70F-L

(D)=YSR70F-LS
(E)=
(F)=

No.	Lev.	Parts No.	Description	Q'ty						I	R
				(A)	(B)	(C)	(D)	(E)	(F)		
1	1	1N3390-75000	AUGER,L	1	1						
2	1	1N3390-75100	AUGER,R	1	1						
3	1	1N3330-75000	AUGER L			1	1				
4	1	1N3330-75100	AUGER R				1	1			
5	1	1N3330-75200	FLANGE,AUGER	2	2	2	2				
6	1	22157-080000	WASHER, 8	2	2	2	2				
7	1	22217-080000	WASHER, SPRING 8	2	2	2	2				
8	1	22550-050300	KEY, 5 X 30	2	2	2	2				
9	1	26116-060202	BOLT, M6X 20 PLATED	2	2	2	2				
10	1	26116-080162	BOLT, M8X 16 PLATED	2	2	2	2				
11	1	26116-080252	BOLT, M8X 25 PLATED	2	2	2	2				
12	1	26347-060002	NUT, M6	2	2	2	2				
13	1	26717-080002	NUT, M8	2	2	2	2				
14	1	1N1711-76001	BLOWER COMPL.	1	1	1	1				
15	1	22512-050300	KEY, 5X 30	1	1	1	1				
16	1	26116-080202	BOLT, M8X 20 PLATED	1	1	1	1				
17	1	26717-080002	NUT, M8	1	1	1	1				

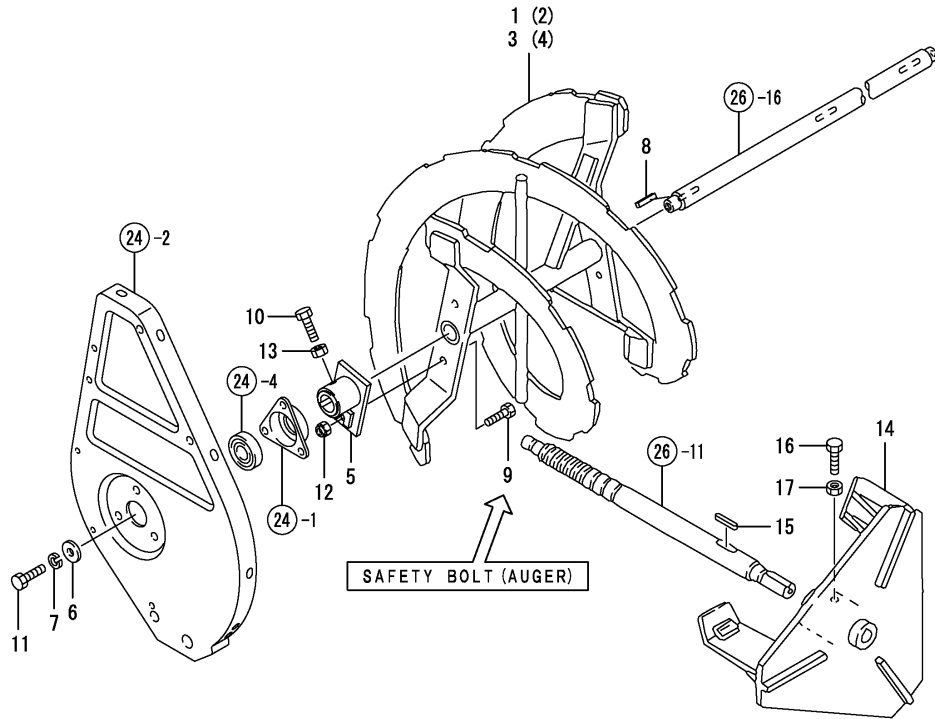
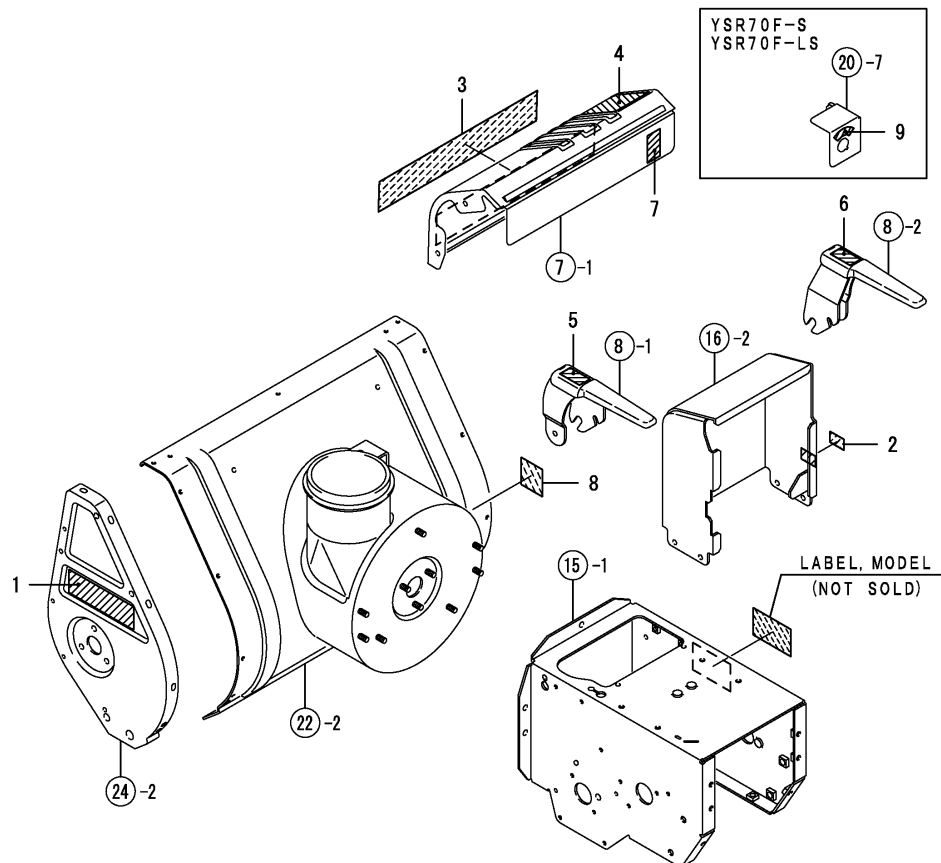
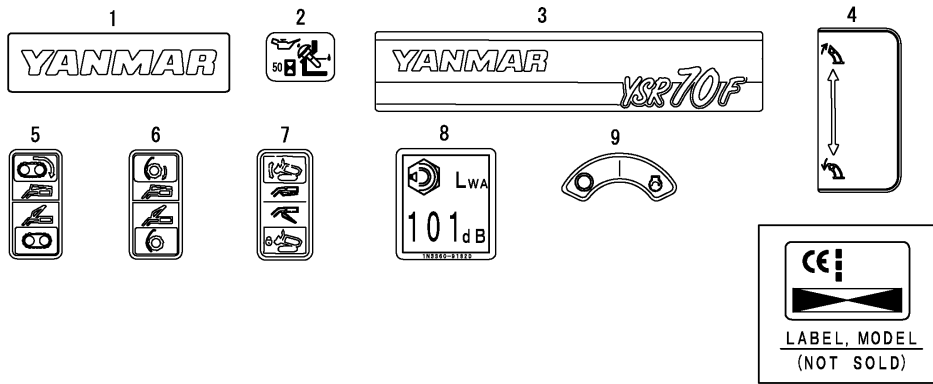


Fig.28. LABELS

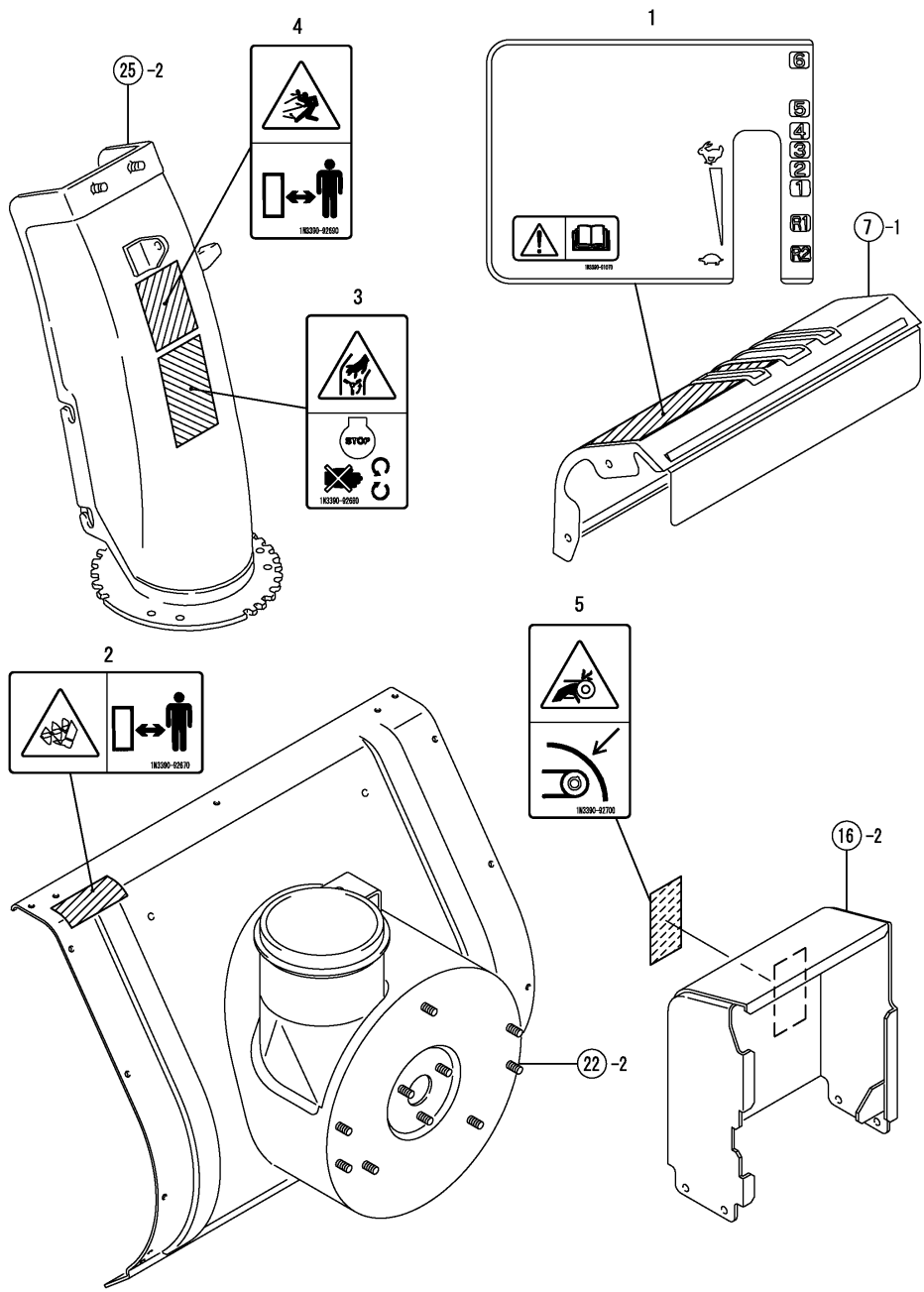


(A)=YSR70F
(B)=YSR70F-S
(C)=YSR70F-L

(D)=YSR70F-LS
(E)=
(F)=

No.	Lev.	Parts No.	Description	Q'ty						I	R
				(A)	(B)	(C)	(D)	(E)	(F)		
1	1	1N1711-68190	MARK C "YANMAR"	2	2	2	2				
2	1	1N1711-68220	MARK,OIL CHECK	1	1	1	1				
3	1	1N3390-91050	MARK	1	1	1	1				
4	1	1N3390-91080	MARK	1	1	1	1				
5	1	1N3021-91100	MARK,TRAVEL CLUTCH	1	1	1	1				
6	1	1N3021-91110	MARK,SNOW REM.CLUTCH	1	1	1	1				
7	1	1N3390-91300	MARK	1	1	1	1				
8	1	1N3360-91320	LABEL,SOUND LEVEL	1	1	1	1				
9	1	1N3390-91090	MARK,SWITCH		1		1				

Fig.29. LABELS(SAFETY)



(A)=YSR70F
(B)=YSR70F-S
(C)=YSR70F-L

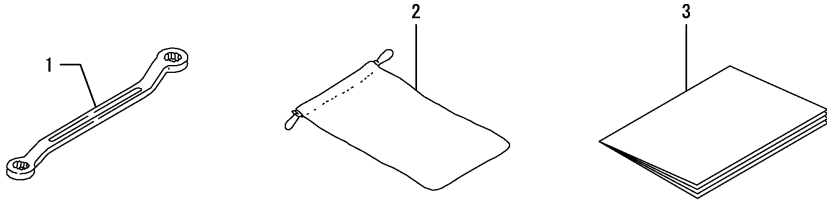
(D)=YSR70F-LS
(E)=
(F)=

No.	Lev.	Parts No.	Description	Q'ty						I	R
				(A)	(B)	(C)	(D)	(E)	(F)		
1	1	1N3390-91070	LABEL,CAUTION	1	1	1	1				
2	1	1N3390-92670	LABEL,DANGER	1	1	1	1				
3	1	1N3390-92680	LABEL,WARNING	1	1	1	1				
4	1	1N3390-92690	LABEL,WARNING	1	1	1	1				
5	1	1N3390-92700	LABEL,CAUTION	1	1	1	1				

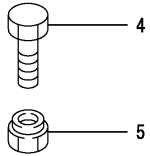
Fig.30. TOOLS & ACCESSORIES

(A)=YSR70F
(B)=YSR70F-S
(C)=YSR70F-L

(D)=YSR70F-LS
(E)=
(F)=



SPARE PARTS (SAFETY BOLT)



No.	Lev.	Parts No.	Description	Q'ty						I	R
				(A)	(B)	(C)	(D)	(E)	(F)		
1	1	28160-100120	WRENCH, 10X12	1	1	1	1				
2	1	1F1150-92000	BAG,TOOL	1	1	1	1				
3	1	1N3390-96100	MANUAL, INSTRUCTION	1	1	1	1				
4	1	26116-060202	BOLT, M6X 20 PLATED	10	10	10	10				1
5	1	26347-060002	NUT, M6	10	10	10	10				1

Remarks

(1) IT IS A SPARE PART FOR SAFETY BOLT, GROUP NO.27, REF. NO.9.

Parts No. Index

Parts No.	Fig. No.	Ref. No.
160797-77270	20	9
194080-58820	1	10
194273-47910	1	23
1A1140-58050	12	5
1A1470-40900	19	4
1C1011-45020	9	22
1C6320-64680	10	6
	12	7
1E4760-43090	11	6
1E6102-84960	20	5
1E6102-84970	19	3
	20	6
1E6570-64760	10	7
1E6680-64240	12	6
1E6740-64200	11	7
1E7030-51301	2	9
1F1150-23140	5	5
1F1150-92000	30	2
1F5300-43300	13	11
1J3999-02010	1	8
1J3999-02160	25	1
1J3999-06000	9	14
1J3999-07000	9	1
	12	1
	19	1
1N1570-21200	4	2
1N1570-21300	4	5
1N1570-21600	5	1
1N1570-32950	11	5
1N1570-38200	24	1
1N1570-38210	22	1
	23	1
1N1570-51130	1	24
1N1570-73150	25	12
1N1570-74050	26	5
1N1570-74101	26	11
1N1570-74110	26	6
1N1570-74120	26	7
1N1570-74130	26	8
1N1570-74140	26	9
1N1710-32600	1	9
	9	7
1N1710-51350	18	7
1N1710-71062	22	4
	23	4
1N1710-71071	22	5
	23	5
1N1710-74002	26	1
1N1710-74012	26	3
1N1710-74021	26	15

Parts No.	Fig. No.	Ref. No.
1N1710-82140	6	3
1N1711-35520	13	10
1N1711-51850	21	3
1N1711-51860	21	4
1N1711-68190	28	1
1N1711-68220	28	2
1N1711-73170	25	13
1N1711-73240	25	4
1N1711-73280	25	5
1N1711-74000	26	2
1N1711-74010	26	4
1N1711-76001	27	14
1N1713-00040	1	1
1N1713-00080	1	2
1N1713-00170	1	4
1N1713-71301	24	13
1N1720-21211	4	4
1N1723-32350	10	5
	12	2
1N1723-38500	17	6
1N1960-73502	25	6
1N3021-00250	1	6
1N3021-31451	9	17
1N3021-31480	9	18
1N3021-31580	2	8
	9	20
1N3021-34390	13	2
1N3021-34710	13	8
1N3021-34720	13	9
1N3021-38600	17	7
1N3021-51550	20	2
1N3021-51560	20	3
1N3021-52300	20	8
1N3021-73201	25	3
1N3021-91100	28	5
1N3021-91110	28	6
1N3260-73250	13	12
1N3300-11260	2	5
1N3300-12010	3	10
1N3300-12201	3	11
1N3300-21000	4	1
1N3300-21300	4	6
1N3300-21310	4	8
1N3300-21400	4	9
1N3300-23050	5	3
1N3300-23090	5	4
1N3300-23180	5	6
1N3300-25100	5	23
	17	2
1N3300-31400	9	16

Parts No.	Fig. No.	Ref. No.
1N3300-31500	9	19
1N3300-31651	9	6
1N3300-32300	11	2
1N3300-32500	11	4
1N3300-34201	12	4
1N3300-51010	18	1
1N3300-51100	18	2
1N3300-51150	18	3
1N3300-51200	18	4
1N3300-51250	18	5
1N3300-51300	18	6
1N3300-51350	18	8
1N3300-51400	19	2
1N3300-51451	19	5
1N3300-51480	21	2
1N3300-51552	20	7
1N3300-71320	24	15
1N3300-71330	24	16
1N3300-71401	22	6
	23	6
1N3300-73202	25	14
1N3310-02150	1	22
1N3310-23200	5	7
1N3310-71200	24	2
1N3310-71250	24	3
1N3310-71301	24	14
1N3310-71500	24	8
1N3310-71551	24	9
1N3320-71290	8	3
1N3330-00100	1	3
1N3330-11000	2	1
1N3330-11100	2	2
1N3330-11200	2	3
1N3330-11250	2	4
1N3330-11260	2	6
1N3330-11270	2	7
1N3330-12000	3	1
1N3330-12050	3	4
1N3330-12100	3	2
1N3330-21200	4	3
1N3330-21300	4	7
1N3330-21400	4	10
1N3330-21410	4	11
1N3330-31350	9	15
1N3330-32090	10	3
1N3330-32390	11	3
1N3330-34651	13	6
1N3330-34700	13	7
1N3330-75000	27	3
1N3330-75100	27	4

Parts No.	Fig. No.	Ref. No.
1N3330-75200	27	5
1N3335-32050	10	2
1N3335-32090	10	4
1N3360-00200	1	5
1N3360-32000	10	1
1N3360-38000	17	1
1N3360-91320	28	8
1N3370-31200	9	2
1N3370-31300	9	3
1N3370-31450	9	4
1N3370-31700	9	21
1N3370-32100	10	11
1N3370-34000	12	3
1N3370-38500	17	16
1N3390-02100	1	21
1N3390-23000	5	2
1N3390-23300	5	8
1N3390-23400	5	9
1N3390-25000	5	22
1N3390-30000	6	1
1N3390-30100	6	2
1N3390-31000	8	1
1N3390-31050	8	2
1N3390-31600	9	5
1N3390-32200	11	1
1N3390-32400	10	12
1N3390-34350	13	1
1N3390-34500	13	3
1N3390-34530	13	4
1N3390-34600	13	5
1N3390-35000	14	1
1N3390-35060	14	2
1N3390-35100	14	3
1N3390-35150	14	4
1N3390-35250	14	5
1N3390-35300	14	6
1N3390-35400	14	7
1N3390-35450	14	8
1N3390-35500	14	9
1N3390-35600	14	10
1N3390-35650	14	11
1N3390-35700	14	12
1N3390-36000	15	1
1N3390-36100	15	2
1N3390-36200	15	3
1N3390-37100	16	4
1N3390-37300	16	1
1N3390-38200	17	3
1N3390-38400	17	4
1N3390-38450	17	5

Parts No. Index

Parts No.	Fig. No.	Ref. No.
1N3390-51000	20	1
1N3390-71500	24	7
1N3390-73300	25	16
1N3390-73350	25	17
1N3390-74200	26	16
1N3390-75000	27	1
1N3390-75100	27	2
1N3390-91050	28	3
1N3390-91070	29	1
1N3390-91080	28	4
1N3390-91090	28	9
1N3390-91300	28	7
1N3390-92670	29	2
1N3390-92680	29	3
1N3390-92690	29	4
1N3390-92700	29	5
1N3390-96100	30	3
1N3400-51450	21	1
1N3400-74200	26	17
1S6000-61220	4	12
1S9050-01430	1	7
22117-060000	1	25
	9	8
		23
		24
		25
	12	8
22117-080000	4	13
	9	26
22117-100000	9	9
22117-120000	4	14
	5	10
	11	8
22137-060000	4	15
		16
	13	13
	24	17
	25	7
22137-080000	1	18
		26
	3	12
	6	4
	8	4
	9	10
	13	14
	14	13
		14
	22	7
		8
	23	7

Parts No.	Fig. No.	Ref. No.
22137-080000	23	8
	25	18
22137-200000	17	8
22157-060000	2	10
	3	5
	4	17
	5	11
	7	2
		14
	14	15
	18	9
	25	8
22157-080000	3	13
	14	16
		17
	17	9
	24	18
	27	6
22190-120000	1	11
22217-060000	1	12
	3	6
	14	18
22217-080000	1	19
	3	14
	14	19
	17	10
	27	7
22242-000120	4	18
	5	12
22242-000150	2	11
22242-000190	5	13
22242-000200	5	14
		24
22242-000250	4	19
22272-000050	1	27
22272-000060	14	20
22272-000070	9	11
22351-050020	9	27
	25	19
22372-040000	13	15
22417-160100	2	12
	9	28
		29
	14	21
22417-200100	1	28
	9	12
	12	9
		13
	13	16
22417-200120	25	9
22417-200160	2	13
	9	30

Parts No.	Fig. No.	Ref. No.
22417-200160	13	17
	14	22
22451-160000	5	15
22487-060160	14	23
22487-080120	14	24
22487-080160	14	25
22512-050260	5	16
22512-050300	3	15
	27	15
22550-050150	3	7
22550-050300	17	11
	26	18
	27	8
24101-060044	26	19
24104-060024	4	20
24104-060044	5	17
		25
	17	12
24104-062024	5	18
24104-062034	22	9
	23	9
	24	4
24107-060044	26	12
24107-062024	26	13
24421-203508	26	14
		20
24550-012150	9	13
24550-014100	10	8
24550-020100	17	13
25122-002701	3	8
25123-002901	3	16
26016-060122	5	19
26016-060162	5	20
	7	3
	17	14
26016-060164	4	21
26016-060202	26	10
26016-060204	1	13
26016-080162	6	5
26016-080164	4	22
	9	31
	10	13
	24	5
26016-080202	17	17
26016-100252	6	6
26018-060124	1	14
	7	4
	15	4
	16	3
		5

Parts No.	Fig. No.	Ref. No.
26018-060124	24	6
		10
		11
26018-060162	2	14
	10	14
	11	9
26018-060164	14	26
26018-080162	3	3
26018-080164	1	15
	8	5
	10	15
	15	5
	19	6
	20	10
26018-080202	14	27
26018-080204	13	18
26051-060002	4	23
		24
		25
	5	21
		26
		11
		18
		22
		23
		24
		25
		15
26051-080002	3	17
	8	6
	10	9
	11	11
	14	28
	19	7
	21	5
	22	11
		12
		13
	23	11
		12
		13
		24
		25
		20
		20
26116-060162	3	9
26116-060202	27	9
	30	4
26116-060254	4	26
26116-060304	4	27
26116-060502	1	16
26116-060552	1	17

Parts No. Index

Parts No.	Fig. No.	Ref. No.
26116-080162	27	10
26116-080202	14	29
	27	16
26116-080252	3	18
	14	30
	17	15
	27	11
26116-080352	1	20
26117-060122	4	28
	14	31
	22	14
	23	14
26117-080162	25	21
26117-080202	22	15
	23	15
26347-060002	9	32
	25	11
	27	12
	30	5
26347-080002	1	29
	8	7
	14	32
26357-140002	10	10
	12	10
26487-080252	8	8
26557-060252	14	33
26717-060002	4	29
		30
	24	12
26717-080002	1	30
	11	12
	13	19
		20
	27	13
		17
28160-100120	30	1
29411-200000	20	4
7N3390-30290	7	1
7N3390-37000	16	2
7N3390-71000	22	2
7N3390-71100	22	3
7N3390-71200	23	2
7N3390-71300	23	3
7N3390-73000	25	2

Parts No.	Fig. No.	Ref. No.
-----------	----------	----------

Parts No.	Fig. No.	Ref. No.
-----------	----------	----------

Parts No.	Fig. No.	Ref. No.
-----------	----------	----------